



Accessorize your LFLED with a NEMA Type: 3H x 3V or 3H x 2V spot lens.

Color: Bronze

Weight: 0.3 lbs

Project:

Type:

Prepared By:

Date:

Driver Info

Type: Constant Current
 120V: N/A
 208V: N/A
 240V: N/A
 277V: N/A
 Input Watts: 0W
 Efficiency: N/A

LED Info

Watts: 0W
 Color Temp: N/A
 Color Accuracy: N/A
 L70 Lifespan: N/A
 Lumens: N/A
 Efficacy: N/A

Technical Specifications

Listings

UL listing:

Suitable for wet locations. Suitable for ground mounting.

Optical

LNSLFLED with NEMA Type:

3000K: NEMA Type 3H x 3V
 4000K: NEMA Type 3H x 3V
 4800K: NEMA Type 3H x 2V

Construction

Lens:

Microprismatic diffusion lens for smooth and even light distribution.

Housing:

Precision die-cast aluminum housing

Finish:

Our environmentally friendly polyester powder coatings are formulated for high-durability and long-lasting color, and contains no VOC or toxic heavy metals.

Other

Compatibility:

Compatible with and

Equivalency:

The LFLED8 is equivalent in delivered lumens to a 50W MR16.

Country of Origin:

Designed by RAB in New Jersey and assembled in the USA by RAB's IBEW Local 3 workers.

Buy American Act Compliant:

This product is a COTS item manufactured in the United States, and is compliant with the Buy American Act.

Recovery Act (ARRA) Compliant:

This product complies with the 52.225-21 "Required Use of American Iron, Steel, and Manufactured Goods-- Buy American Act-- Construction Materials (October 2010).

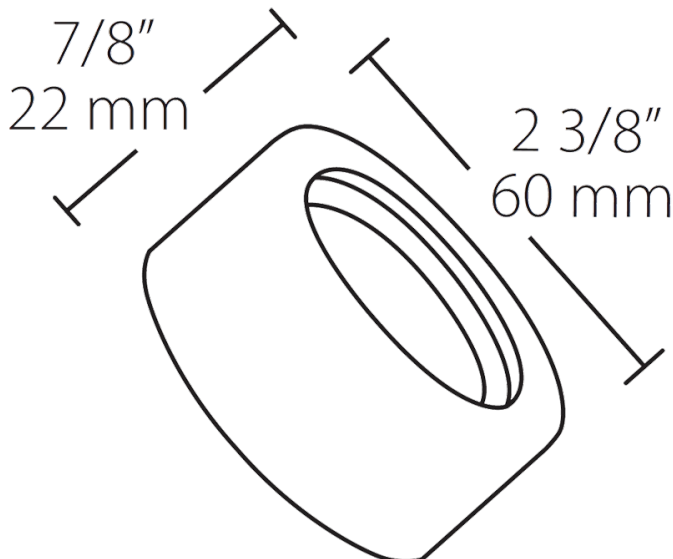
Trade Agreements Act Compliant:

This product is a COTS item manufactured in the United States, and is compliant with the Trade Agreements Act.

GSA Schedule:

Suitable in accordance with FAR Subpart 25.4.

Dimensions



Features

- Microprismatic diffusion lens for smooth and even light distribution
- Precision die-cast aluminum housing
- 5-Year warranty

Ordering Matrix

Family	Watts	Finish
LSLFLED		
	Blank = 5W 8 = 8W	A = Bronze W = White B = Black VG = Verde Green BR = Brass