



<b>Project:</b>	<b>Type:</b>
<b>Prepared By:</b>	<b>Date:</b>

Driver Info		LED Info	
Type:	Constant Current	Watts:	0W
120V:	N/A	Color Temp:	N/A
208V:	N/A	Color Accuracy:	N/A
240V:	N/A	L70 Lifespan:	N/A
277V:	N/A	Lumens:	N/A
Input Watts:	0W	Efficacy:	N/A
Efficiency:	N/A		

Accessorize your LFLED with a NEMA Type: 3H x 3V or 3H x 2V spot lens.  
 Color: Verde green Weight: 0.3 lbs

## Technical Specifications

### Listings

#### UL listing:

Suitable for wet locations. Suitable for ground mounting.

### Optical

#### LNSLFLED with NEMA Type:

3000K: NEMA Type 3H x 3V  
 4000K: NEMA Type 3H x 3V  
 4800K: NEMA Type 3H x 2V

### Construction

#### Lens:

Microprismatic diffusion lens for smooth and even light distribution.

#### Housing:

Precision die-cast aluminum housing

#### Finish:

Our environmentally friendly polyester powder coatings are formulated for high-durability and long-lasting color, and contains no VOC or toxic heavy metals.

### Other

#### Compatibility:

Compatible with and

#### Equivalency:

The LFLED8 is equivalent in delivered lumens to a 50W MR16.

#### Buy American Act Compliant:

This product is a COTS item manufactured in the United States, and is compliant with the Buy American Act.

#### Recovery Act (ARRA) Compliant:

This product complies with the 52.225-21 "Required Use of American Iron, Steel, and Manufactured Goods-- Buy American Act-- Construction Materials (October 2010).

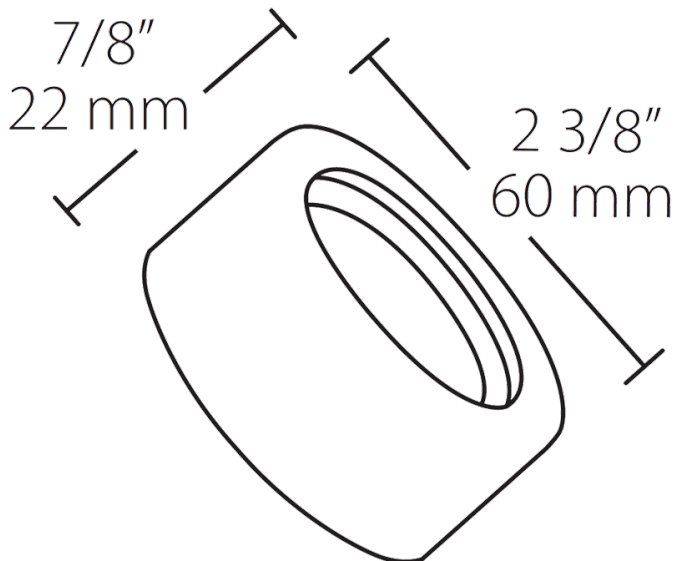
#### Trade Agreements Act Compliant:

This product is a COTS item manufactured in the United States, and is compliant with the Trade Agreements Act.

#### GSA Schedule:

Suitable in accordance with FAR Subpart 25.4.

### Dimensions



### Features

- Microprismatic diffusion lens for smooth and even light distribution
- Precision die-cast aluminum housing
- 5-Year warranty

## Ordering Matrix

Family	Watts	Finish
LSLFLED		
	<b>Blank</b> = 5W <b>8</b> = 8W	<b>A</b> = Bronze <b>W</b> = White <b>B</b> = Black <b>VG</b> = Verde Green <b>BR</b> = Brass