



Specification grade area lights available in IES Type IV distributions. Suited for mounting on the sides of buildings and walls, and for illuminating the perimeter of parking areas. Best-in-class 5-G vibration rating. 5 Year Warranty.

Color: White

Weight: 20.9 lbs

**Project:**

**Type:**

**Prepared By:**

**Date:**

**Driver Info**

Type: Constant Current  
 120V: N/A  
 208V: N/A  
 240V: N/A  
 277V: N/A  
 Input Watts: 153W  
 Efficiency: N/A

**LED Info**

Watts: 160W  
 Color Temp: 4000K  
 Color Accuracy: 72 CRI  
 L70 Lifespan: 100000  
 Lumens: 8,602  
 Efficacy: 56 LPW

## Technical Specifications

### Listings

**UL Listing:**

Suitable for wet locations.

**IESNA LM-79 & IESNA LM-80 Testing:**

RAB LED luminaires have been tested by an independent laboratory in accordance with IESNA LM-79 and 80, and have received the Department of Energy "Lighting Facts" label.

### Electrical

**Driver:**

Constant Current, Class 2, 480V, 50/60 Hz, 480V: 0.35A

**THD:**

10% at 480V

**Power Factor:**

99% at 480V

**Surge Protection:**

L-N 4kV; L-Earth 6kV

**Dimming Driver:**

Driver includes dimming control wiring for 0-10V dimming systems. Requires separate 0-10V DC dimming circuit. Dims as low as 10%.

### Optical

**Lifespan:**

100,000-hour LED lifespan based on IES LM-80 results and TM-21 calculations.

**Full Cutoff:**

Full cutoff optics conform with dark sky requirements.

### Construction

**IES Classification:**

The Type IV distribution (also known as a Forward Throw) produces a semicircular distribute, and is especially suited for mounting on sides of buildings or walls and perimeter of parking areas.

**Effective Projected Area:**

EPA = 0.8

**Vibration Rating:**

Industry-leading 5G vibration rating per ANSI C136.31.

**Cold Weather Starting:**

Minimum starting temperature is -40° F (-40° C)

**Ambient Temperature:**

Suitable for use in 104° F (40° C) ambient temperatures.

**Housing:**

Precision die-cast aluminum housing.

**House Side Shield:**

External house-side shield accessory included to reduce light trespass.

**Mounting:**

Mounts to RAB square poles. Mounts to all square and round poles if optional Universal Pole Adaptor is used.

**Lens:**

Clear acrylic lens with integrated optics

**IP Rating:**

Ingress Protection rating of IP66 for dust and water

**Gaskets:**

High temperature silicone gaskets.

**Finish:**

Formulated for high-durability and long lasting color.

**Green Technology:**

Mercury and UV free. RoHS compliant components. Polyester powder coat finish formulated without the use of VOC or toxic heavy metals.

### LED Characteristics

**LEDs:**

Long-life, high-efficiency surface mount LEDs

**Color Stability:**

LED color temperature is warranted to shift no more than 200K in CCT over a 5 year period.

**Color Uniformity:**

RAB's range of CCT (Correlated Color Temperature) follows the guidelines of the American National Standard for Specifications for the Chromaticity of Solid State Lighting (SSL) Products, ANSI C78.377-2015.

### Other

**5 Yr Limited Warranty:**

Fixture operation and paint finish are covered for a period of 5 years.

## Technical Specifications (continued)

### Other

#### Replacement:

Replaces up to 400W Metal Halide.

#### Country of Origin:

Designed by RAB in New Jersey and assembled in the USA by RAB's IBEW Local 3 workers.

#### Buy American Act Compliant:

This product is a COTS item manufactured in the United States, and is compliant with the Buy American Act.

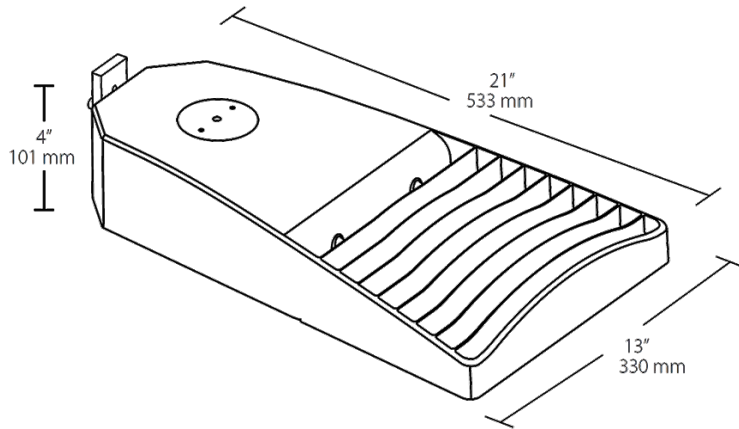
#### Recovery Act (ARRA) Compliant:

This product complies with the 52.225-21 "Required Use of American Iron, Steel, and Manufactured Goods-- Buy American Act-- Construction Materials (October 2010).

#### GSA Schedule:

Suitable in accordance with FAR Subpart 25.4.

## Dimensions



## Features

- 100,000-hour LED lifespan
- Type IV distribution
- 5-year warranty

## Ordering Matrix

Family	IES Type	Wattage	Color Temp	Finish	Driver Options	Mounting	Sensor Options	Accessories
LOT	4T	160	N	W	/480/D10			/HS
	4T = Type IV	160 = 160W 110 = 110W 65 = 65W	Blank = 5000K (Cool) N = 4000K (Neutral) Y = 3000K (Warm)	Blank = Bronze W = White	/D10 = 120-277V, 0-10V Dimming (standard) /480/D10 = 480V, 0-10V Dimming	Blank = Mounts to RAB square poles /UPA = Universal Pole Adaptor	Blank = None /PCT = 120-277V Twistlock PC /PCT4 = 480V Twistlock PC /WS2 = Wattstopper Sensor + 20ft lens, 120-277V /WS4 = Wattstopper Sensor + 40ft lens, 120-277V /5PR = 5-Pin Receptacle, no PCT /7PR = 7-Pin Receptacle, no PCT /BL = Bi-Level Dimming, 120-277V	Blank = None /HS = 2 House-Side-Shields