



Meets California Title 24 standards. Must be turned on manually, but shuts off automatically. Full 180° view covers 1000 sq. ft. Works with electronic ballasts. Can be wired in parallel. LED indicator, wallplate supplied. Can also be used as a ceiling sensor. Must have hot, common & ground wires in box.

Color: Almond

Weight: 0.3 lbs

<b>Project:</b>	<b>Type:</b>
<b>Prepared By:</b>	<b>Date:</b>

**Technical Specifications**

**Listings**

**UL Listing:**

Indoor applications Smart Box & Tuff Dome Wet locations.

**Construction**

**Compatibility:**

Compatible with most electronic ballasts. Not compatible with instant start ballasts. Can be wired in parallel.

**Electrical**

**Maximum Energy Savings:**

Must be turned on manually, but shuts off automatically.

**Incandescent & Fluorescent Watts Switched:**

800 watts @ 120 volts, 1200 watts @ 277 volts.

**Ratings:**

6.7 amps at 120 volts, 4.3amps @ 277 volts.

**Power Consumption:**

Negligible

**Manual Switch:**

On - Manual on - Auto off.

**Wiring:**

Hot & common, no ground required.

**Optical**

**Coverage Area:**

1000sf

**Sensor Characteristics**

**Time Delay:**

8 seconds to 15 minutes.

**Ambient Light Sensing:**

n/a

**Detection:**

180° view covers 1000 sq. feet.

**Other**

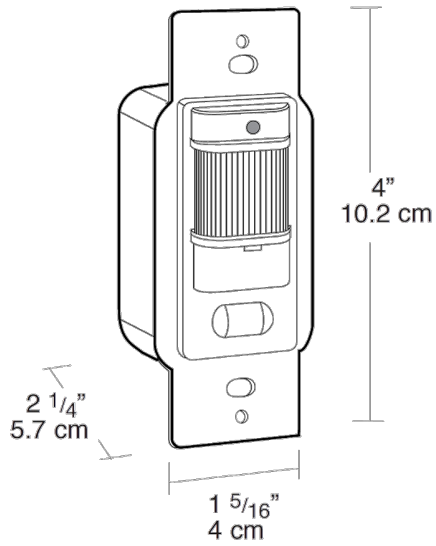
**Adjustments:**

Time

**California Title 24:**

LVS800 complies with California Title 24 building and electrical codes.

## Dimensions



## Features

- Full 180° view
- LED detection indicator
- Tough, vandal resistant lens
- Fits decorator wall plates
- Control panel cover only removable with wall plate to prevent tampering
- Manual off/auto switch
- Vandal proof sensor for schools, gyms and high abuse areas