



Project:	Type:
Prepared By:	Date:

**Technical Specifications**

**Construction**

**Finish:**

Weather resistant polyester powder, bronze.

**Bullhorns:**

1 Tenon for slip fitters. Right angle bracket. Bullhorns fit 2 3/8" (6cm) O.D. tenons and accommodate 2 3/8" (6cm) slip fitters. Steel tubing .150" and .200" thick welded with (4) 3/8" bolts for securing to pole.

**Slipfitters & Wall Brackets:**

3/16" thick steel with 1/2" nuts and bolts.

**EPA Maximum Capacity:**

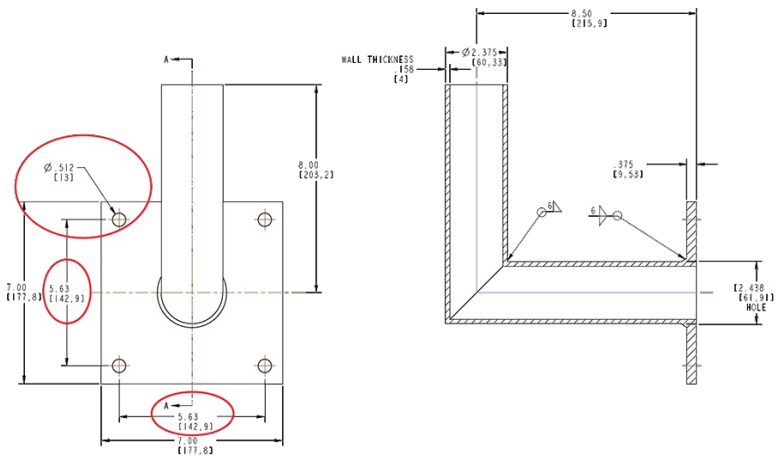
4.0. per arm.

**Other**

**Maximum Weight:**

90 lbs.

**Dimensions**



**Features**

- Easy, secure floodlight mounting
- Double Reinforced weld joints