



<b>Project:</b>	<b>Type:</b>
<b>Prepared By:</b>	<b>Date:</b>

Driver Info		LED Info	
Type	Constant Current	Watts	60W
120V	N/A	Color Temp	5000K (Cool)
208V	N/A	Color Accuracy	76 CRI
240V	N/A	L70 Lifespan	100,000 Hours
277V	0.22A	Lumens	7,347
Input Watts	60.3W	Efficacy	121.8

## Technical Specifications

### Compliance

#### UL Listed:

Suitable for wet locations

#### IESNA LM-79 & LM-80 Testing:

RAB LED luminaires and LED components have been tested by an independent laboratory in accordance with IESNA LM-79 and LM-80.

#### DLC Listed:

This product is on the Design Lights Consortium (DLC) Qualified Products List and is eligible for rebates from DLC Member Utilities. Designed to meet DLC 5.1 requirements.

DLC Product Code: S-G3R12K

### LED Characteristics

#### LEDs:

Long-life, high-efficacy, surface-mount LEDs

#### Color Consistency:

7-step MacAdam Ellipse binning to achieve consistent fixture-to-fixture color

#### Color Uniformity:

RAB's range of Correlated Color Temperature follows the guidelines of the American National Standard for Specifications for the Chromaticity of Solid State Lighting (SSL) Products, ANSI C78.377-2017.

### Electrical

#### Driver:

Driver on board, Class A, 50/60 Hz, 277V: 0.22A

#### Dimming Driver:

Integrated/embedded revise Phase-Cut stepped luminaire-level dimming control. Ten discrete dimming steps plus off and full on are accomplished by modification of the voltage, current, and waveform to produce varying light output. Controller is remote located from fixture or junction box or can be located by the electrical panel.

#### THD:

11.74% at 277V

#### Power Factor:

99.2% at 277V

#### Surge Protection:

3kA

### Performance

#### Lifespan:

100,000-Hour LED lifespan based on IES LM-80 results and TM-21 calculations

### Construction

#### IP Rating:

Ingress protection rating of IP65 for dust and water

#### Cold Weather Starting:

The minimum starting temperature is -40°C (-40°F)

**Technical Specifications (continued)**

**Construction**

**Maximum Ambient Temperature:**

Suitable for use in up to 40°C (104°F)

**Mounting:**

PARK34 accommodates surface mounting and its unique, removable adapter allows for both 1/2" and 3/4" NPT pendant mounting (by others).

**Lens:**

Polycarbonate lens

**Reflector:**

Aluminum with high reflectance white finish, optimized for uniform distribution.

**Gaskets:**

Nitrile rubber

**Finish:**

Formulated for high durability and long-lasting color

**Green Technology:**

Mercury and UV free. RoHS-compliant components.

**Sensor Specifications**

**Maximum Mounting Height:**

13 ft.

**Voltage:**

5V

**Dimming:**

Default factory setting: 30% dimming output

**Operating Temperature:**

-20°C- 60°C (-4°F - 140°F)

**Storage Temperature:**

20°C- 70°C (-40°F - 158°F)

**Operating Humidity:**

5% - 93% without condensation

**IP Rating:**

IP20

**Warm Up Time:**

45s +/-5s

**Standby (w):**

<0.3W

**Module Interaction:**

Wire AWG 22 (Grey Dim -, Purple Dim +, Yellow 5V DC)

**Bi-Level:**

30% after 20min delay then 3s to 30%

**Other**

**5 Yr Limited Warranty:**

The RAB 5-year, limited warranty covers light output, driver performance and paint finish. RAB's warranty is subject to all terms and conditions found at [rablighting.com/warranty](http://rablighting.com/warranty).

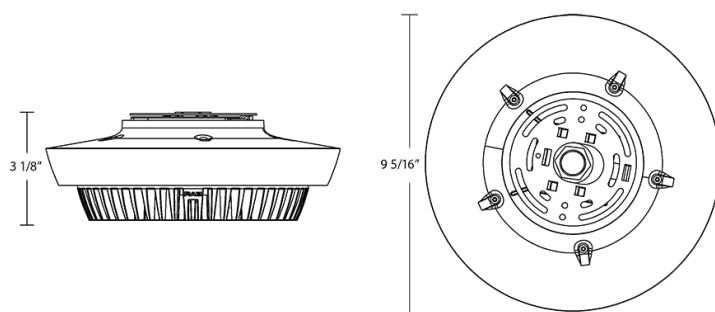
**Buy American Act Compliance:**

RAB values USA manufacturing! Upon request, RAB may be able to manufacture this product to be compliant with the Buy American Act (BAA). Please contact customer service to request a quote for the product to be made BAA compliant.

**Equivalency:**

Equivalent to 250W Metal Halide

**Dimensions**



**Features**

- IP65 Rated
- 100,000-Hour LED lifespan
- 5-Year, Limited Warranty

## Ordering Matrix

Family	Wattage	Color Temp	Finish	Voltage	Options	
PARK34	-	60		W	/277	/PIR/BL
	30 = 30W 45 = 45W 60 = 60W	Blank = 5000K Cool N = 4000K Neutral	W = White	/120 = 120V /277 = 277V	Blank = No Option /PIR/BL = Passive Infrared Sensor w/ Bi-Level	