



This low-cost, all-purpose floodlight is available in 15, 20 and 30 Watt versions and delivers up to 4200 lumens. Optional photocell is available.

Color: White

Weight: 3.7 lbs

Project:	Type:
Prepared By:	Date:

Driver Info		LED Info	
Type:	Constant Current	Watts:	30W
120V:	0.26A	Color Temp:	4000K
208V:	0.16A	Color Accuracy:	72 CRI
240V:	0.14A	L70 Lifespan:	60000
277V:	0.12A	Lumens:	4,265
Input Watts:	31W	Efficacy:	137 LPW
Efficiency:	96%		

Technical Specifications

Listings

UL Listing:

Suitable for wet locations.

IESNA LM-79 & LM-80 Testing:

RAB LED luminaires have been tested by an independent laboratory in accordance with IESNA LM-79 and LM-80, and have received the Department of Energy "Lighting Facts" label.

DLC Listed:

This product is listed by Design Lights Consortium (DLC) as an ultra-efficient premium product that qualifies for the highest tier of rebates from DLC Member Utilities.

DLC Product Code: PAY4P3TP

Electrical

Driver:

Constant Current, Class 2, 50/60 Hz, 2kV, 120 - 277VAC 120: 0.26A, 208V: 0.16A, 240V: 0.14A, 277V: 0.12A

Dimming Driver:

Driver includes dimming control for 0-10V dimming systems. Requires separate 0-10V DC dimming circuit. Dims as low as 10%.

THD:

10.5% at 120V, 17% at 277V

Power Factor:

98.8% at 120V, 91.6% at 277V

LED Characteristics

LEDs:

Long-life, high-efficiency surface mount LEDs

Lifespan:

60,000-hour LED lifespan based on IES LM-80 results and TM-21 calculations.

Color Stability:

LED color temperature is warranted to shift no more than 200K in CCT over a 5 year period.

Color Uniformity:

RAB's range of CCT (Correlated Color Temperature) follows the guidelines of the American National Standard for Specifications for the Chromaticity of Solid State Lighting (SSL) Products, ANSI C78.377-2011.

Optical

NEMA Type:

7H x 6V Beam Spread.

Construction

IP Rating:

Ingress Protection rating of IP66 for dust and water.

Maximum Ambient Temperature:

Suitable for use in 40°C (104°F) ambient temperatures

Cold Weather Starting:

The minimum starting temperature is -40°C/-40°F

Housing:

Precision die-cast aluminum housing and mounting arm

Lens:

Frosted acrylic

Mounting:

Mounting arm with "O" ring seal, wire seal plug and stainless steel screw.

Gaskets:

High temperature silicone gaskets.

Green Technology:

Mercury and UV free. RoHS compliant components. Polyester powder coat finish formulated without the use of VOC or toxic heavy metals.

Finish:

Our environmentally friendly polyester powder coatings are formulated for high-durability and long-lasting color, and contains no VOC or toxic heavy metals.

Other

Replacement:

The PIP30 replaces 150W Metal Halide Floodlights.

5 Yr Limited Warranty:

RAB warrants fixture operation and paint finish for a period of 5 years.

Country of Origin:

Designed by RAB in New Jersey and assembled in the USA by RAB's IBEW Local 3 workers.

Buy American Act Compliant:

This product is a COTS item manufactured in the United States, and is compliant with the Buy American Act.

Recovery Act (ARRA) Compliant:

This product complies with the 52.225-21 "Required Use of American Iron, Steel, and Manufactured Goods-- Buy American Act-- Construction Materials (October 2010).

Technical Specifications (continued)

Other

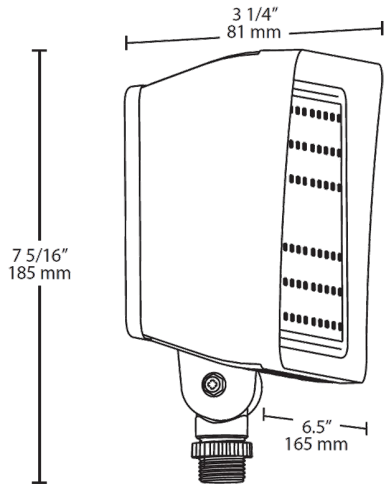
Trade Agreements Act Compliant:

This product is a COTS item manufactured in the United States, and is compliant with the Trade Agreements Act.

GSA Schedule:

Suitable in accordance with FAR Subpart 25.4.

Dimensions



Features

- 60,000-hour LED lifespan
- Standard 0-10V dimming driver
- 5-Year limited warranty

Ordering Matrix

Family	Watts	Color Temp	Finish	Dimming	Photocell
PIP	30	N	W	/D10	
	30 = 30W 20 = 20W 15 = 15W	Blank = 5000K (Cool) N = 4000K (Neutral) Y = 3000K (Warm)	Blank = Bronze W = White	/D10 = Dimmable	Blank = No Photocell /PCU = 120-277V Button Photocell