



This ultra high efficiency LED garage light delivers up to 118 lumens per Watt. An integrated motion/photo sensor option provides multi-level lighting control. Available in 30, 42 and 55 Watt versions that replace 70 to 175 Watt metal halide fixtures.

Color: White

Weight: 10.6 lbs

<b>Project:</b>	<b>Type:</b>
<b>Prepared By:</b>	<b>Date:</b>

Driver Info		LED Info	
Type:	Constant Current	Watts:	30W
120V:	N/A	Color Temp:	4000K
208V:	N/A	Color Accuracy:	73 CRI
240V:	N/A	L70 Lifespan:	100000
277V:	N/A	Lumens:	3,151
Input Watts:	29W	Efficacy:	108 LPW
Efficiency:	N/A		

**Technical Specifications**

**Listings**

**UL Listing:**

Suitable for wet locations.

**IESNA LM-79 & LM-80 Testing:**

RAB LED luminaires have been tested by an independent laboratory in accordance with IESNA LM-79 and LM-80, and have received the Department of Energy "Lighting Facts" label.

**DLC Listed:**

This product is on the Design Lights Consortium (DLC) Qualified Products List and is eligible for rebates from DLC Member Utilities.  
DLC Product Code: PGZ9WFYZ

**Electrical**

**Drivers:**

Constant Current, Class 2 100V - 277V, 50/60 Hz. THD <20%.

**Photocell:**

277V Swivel Photocell Included. Photocell is compatible with 208V-277V.

**Construction**

**Lens:**

Frosted polycarbonate

**Gaskets:**

High temperature silicone.

**IP Rating:**

Ingress Protection rating of IP66 for dust and water.

**Ambient Temperature:**

Suitable for use in 40°C ambient temperatures.

**Finish:**

Our environmentally friendly polyester powder coatings are formulated for high-durability and long-lasting color, and contains no VOC or toxic heavy metals.

**Cold Weather Starting:**

Minimum starting temperature is -40°F/-40°C.

**Thermal Management:**

Superior thermal management with external Air-Flow fins.

**Housing:**

Die-cast aluminum and sheetmetal housing

**Mounting:**

Die-cast aluminum backbox with (4) 1/2" conduit openings with plugs. Hinged tether for easy installation and wiring. Also accommodates 1/2" or 3/4" NPS pendants (provided by others).

**Lens:**

High-transmission and vandal-resistant polycarbonate frosted lens

**Reflector:**

Specular polycarbonate

**Green Technology:**

Mercury and UV free. RoHS compliant components. Polyester powder coat finish formulated without the use of VOC or toxic heavy metals.

**LED Characteristics**

**LEDs:**

Long-life, high-efficiency surface mount LEDs

**Lifespan:**

100,000-hour LED lifespan based on IES LM-80 results and TM-21 calculations.

**Color Consistency:**

7-step MacAdam Ellipse binning to achieve consistent fixture-to-fixture color.

**Color Stability:**

LED color temperature is warrantied to shift no more than 200K in CCT over a 5 year period

**Color Uniformity:**

RAB's range of CCT (Correlated Color Temperature) follows the guidelines of the American National Standard for Specifications for the Chromaticity of Solid State Lighting (SSL) Products, ANSI C78.377-2011.

**Other**

**California Title 24:**

See PORTO with 0-10V dimming (D10) driver for a compliant California Title 24.

**Warranty:**

RAB warrants that our LED products will be free from defects in materials and workmanship for a period of five (5) years from the date of delivery to the end user, including coverage of light output, color stability, driver performance and fixture finish.

**Country of Origin:**

Designed by RAB in New Jersey and assembled in the USA by RAB's IBEW Local 3 workers.

**Buy American Act Compliant:**

This product is a COTS item manufactured in the United States, and is compliant with the Buy American Act.

**Technical Specifications (continued)**

**Other**

**Recovery Act (ARRA) Compliant:**

This product complies with the 52.225-21 "Required Use of American Iron, Steel, and Manufactured Goods-- Buy American Act-- Construction Materials (October 2010).

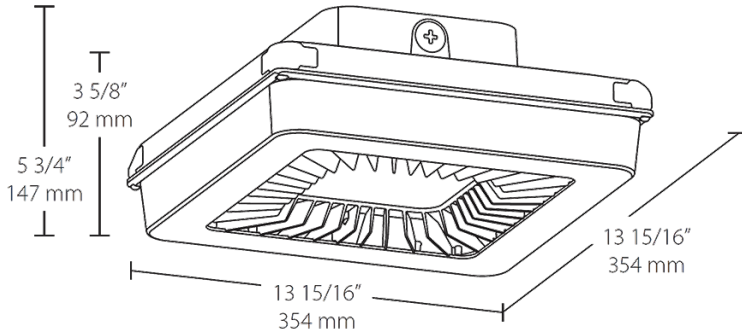
**Trade Agreements Act Compliant:**

This product is a COTS item manufactured in the United States, and is compliant with the Trade Agreements Act.

**GSA Schedule:**

Suitable in accordance with FAR Subpart 25.4.

**Dimensions**



**Features**

- Ultra-high efficiency
- Pendant or surface mount
- IP 66 rated, keeps water and dust out
- Low glare, vandal-resistant polycarbonate lens
- 20% uplight eliminates "cave effect"
- 100,000-Hour LED lifespan
- 5-year warranty

**Ordering Matrix**

Family	Watts	Color Temp	Finish	Voltage	Dimming	Sensor	Photocell
PRT	30	N	W				/PCS2
	30 = 30W	Blank = 5000K (Cool) Y = 3000K (Warm) N = 4000K (Neutral)	Blank = Bronze W = White	Blank = 120-277V /480 = 480V	Blank = No Dimming /D10 = Dimmable	Blank = No Multi-Level Motion Sensor /WS2 = Multi-Level Motion Sensor (Only available for 120-277V with /D10)	Blank = No Photocell /PCS = 120V Swivel /PCS2 = 277V Swivel /PCS4 = 480V Swivel