



This ultra high efficiency LED garage light delivers up to 118 lumens per Watt. An integrated motion/photo sensor option provides multi-level lighting control. Available in 30, 42 and 55 Watt versions that replace 70 to 175 Watt metal halide fixtures.

Color: Bronze

Weight: 10.6 lbs

| | |
|---------------------|--------------|
| Project: | Type: |
| Prepared By: | Date: |

| Driver Info | | LED Info | |
|--------------|------------------|-----------------|---------|
| Type: | Constant Current | Watts: | 55W |
| 120V: | 0.5A | Color Temp: | 5000K |
| 208V: | 0.33A | Color Accuracy: | 75 CRI |
| 240V: | 0.32A | L70 Lifespan: | 100000 |
| 277V: | 0.31A | Lumens: | 6,085 |
| Input Watts: | 59W | Efficacy: | 103 LPW |
| Efficiency: | 93% | | |

Technical Specifications

Listings

UL Listing:

Suitable for wet locations.

IESNA LM-79 & LM-80 Testing:

RAB LED luminaires have been tested by an independent laboratory in accordance with IESNA LM-79 and LM-80, and have received the Department of Energy "Lighting Facts" label.

DLC Listed:

This product is on the Design Lights Consortium (DLC) Qualified Products List and is eligible for rebates from DLC Member Utilities.

DLC Product Code: PTXBTKZ9

Electrical

Drivers:

Constant Current, Class 2 100V - 277V, 50/60 Hz. THD <20%.

Dimming Driver:

Driver includes dimming control wiring for 0-10V dimming systems. Requires separate 0-10V DC dimming circuit. Dims as low as 10%.

Construction

Lens:

Frosted polycarbonate

Gaskets:

High temperature silicone.

IP Rating:

Ingress Protection rating of IP66 for dust and water.

Ambient Temperature:

Suitable for use in 40°C ambient temperatures.

Finish:

Our environmentally friendly polyester powder coatings are formulated for high-durability and long-lasting color, and contains no VOC or toxic heavy metals.

Cold Weather Starting:

Minimum starting temperature is -40°F/-40°C.

Thermal Management:

Superior thermal management with external Air-Flow fins.

Housing:

Die-cast aluminum and sheetmetal housing

Mounting:

Die-cast aluminum backbox with (4) 1/2" conduit openings with plugs. Hinged tether for easy installation and wiring. Also accommodates 1/2" or 3/4" NPS pendants (provided by others).

Lens:

High-transmission and vandal-resistant polycarbonate frosted lens

Reflector:

Specular polycarbonate

Green Technology:

Mercury and UV free. RoHS compliant components. Polyester powder coat finish formulated without the use of VOC or toxic heavy metals.

LED Characteristics

LEDs:

Long-life, high-efficiency surface mount LEDs

Lifespan:

100,000-hour LED lifespan based on IES LM-80 results and TM-21 calculations.

Color Consistency:

7-step MacAdam Ellipse binning to achieve consistent fixture-to-fixture color.

Color Stability:

LED color temperature is warrantied to shift no more than 200K in CCT over a 5 year period

Color Uniformity:

RAB's range of CCT (Correlated Color Temperature) follows the guidelines of the American National Standard for Specifications for the Chromaticity of Solid State Lighting (SSL) Products, ANSI C78.377-2011.

Other

Warranty:

RAB warrants that our LED products will be free from defects in materials and workmanship for a period of five (5) years from the date of delivery to the end user, including coverage of light output, color stability, driver performance and fixture finish.

California Title 24:

PORTO models with multi-level motion sensor (WS) complies with 2013 California Title 24 building and electrical codes as commercial indoor fixtures for corridors, stairwells, warehouses and covered parking garages.

Sensor Specifications

Operating Voltage:

120V or 277V

Power Consumption:

1W

Technical Specifications (continued)

Sensor Specifications

0-10V Sinking Current:
50mA

Adjustable High and Low Modes:
High: 0-10V; Low: off, 0-9.8V

Adjustable Time Delay:
Amount of time in high mode with no motion before switching to low mode: 5 min., 1 -30 min.

Adjustable Cut Off Delay:
Time in which the fixture will remain on low mode with no motion before turning off and waiting for new motion to turn on: None, 1 -60 min., 1 -5 hrs.

Adjustable Sensitivity:
None, low, medium, maximum

Adjustable Setpoint:
None, 1 to 250 fc, auto

Adjustable Ramp Up and Fade Down Times:
1 to 60 sec.

Operating Temperature:
-40°F/-40°C. to 167°F (-40°C to +75°C)

Operating Humidity:
20% to 90% noncondensing

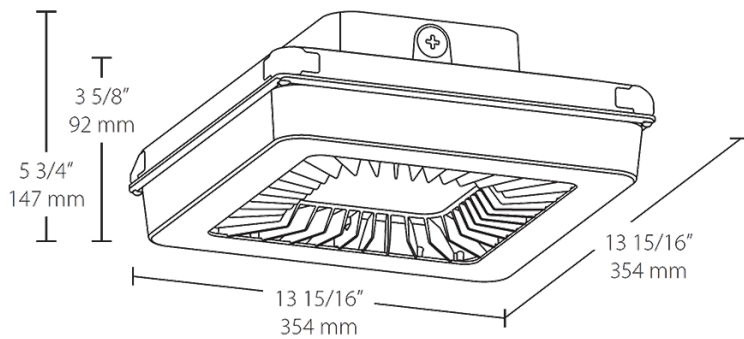
Relay Life Rating:
200,000 cycles (120/277VAC), 50,000 cycles (230VAC)

IP Rating:
Ingress Protection rating of IP66 for dust and water.

UL Listing:
Suitable for Wet Locations as factory installed.

Handheld Wireless Configuration Tool:
Adjust settings using handheld wireless configuration tool. Only available with 0-10V dimming driver options.

Dimensions



Features

- Ultra-high efficiency
- Pendant or surface mount
- IP 66 rated, keeps water and dust out
- Low glare, vandal-resistant polycarbonate lens
- 20% uplight eliminates "cave effect"
- 100,000-Hour LED lifespan
- 5-year warranty

Ordering Matrix

| Family | Watts | Color Temp | Finish | Voltage | Dimming | Sensor | Photocell |
|--------|----------|----------------------|----------------|------------------|--------------------|--|----------------------|
| PRT | 55 | | | | /D10 | /WS2 | |
| | 30 = 30W | Blank = 5000K (Cool) | Blank = Bronze | Blank = 120-277V | Blank = No Dimming | Blank = No Multi-Level Motion Sensor | Blank = No Photocell |
| | 42 = 42W | Y = 3000K (Warm) | W = White | /480 = 480V | /D10 = Dimmable | /WS2 = Multi-Level Motion Sensor (Only available for 120-277V with /D10) | /PCS = 120V Swivel |
| | 55 = 55W | N = 4000K (Neutral) | | | | | /PCS2 = 277V Swivel |
| | | | | | | | /PCS4 = 480V Swivel |