



This ultra high efficiency LED garage light delivers up to 118 lumens per Watt. Available in 30, 42 and 55 Watt versions that replace 70 to 175 Watt metal halide fixtures.

Color: Bronze

Weight: 10.6 lbs

<b>Project:</b>	<b>Type:</b>
<b>Prepared By:</b>	<b>Date:</b>

Driver Info		LED Info	
Type:	Constant Current	Watts:	55W
120V:	0.5A	Color Temp:	4000K
208V:	0.33A	Color Accuracy:	73 CRI
240V:	0.32A	L70 Lifespan:	100000
277V:	0.31A	Lumens:	5302
Input Watts:	57W	Efficacy:	93 LPW
Efficiency:	96%		

## Technical Specifications

### Listings

#### UL Listing:

Suitable for wet locations.

#### IESNA LM-79 & LM-80 Testing:

RAB LED luminaires have been tested by an independent laboratory in accordance with IESNA LM-79 and LM-80, and have received the Department of Energy "Lighting Facts" label.

### Electrical

#### Drivers:

Constant Current, Class 2 100V - 277V, 50/60 Hz. THD <20%.

#### Emergency Battery Backup:

Emergency battery backup will operate the fixture for 90 minutes if power fails. Wired for 120-277V.

#### Dimming Driver:

Driver includes dimming control wiring for 0-10V dimming systems. Requires separate 0-10V DC dimming circuit. Dims as low as 10%.

### Construction

#### Lens:

Frosted polycarbonate

#### Gaskets:

High temperature silicone.

#### IP Rating:

Ingress Protection rating of IP66 for dust and water

#### Ambient Temperature:

Suitable for use in 104° F (40° C) ambient temperatures.

#### Finish:

Formulated for high-durability and long lasting color.

#### Cold Weather Starting:

Minimum starting temperature is -40° F (-40° C)

#### Thermal Management:

Superior thermal management with external "Air-Flow" fins.

#### Housing:

Die-cast aluminum and sheetmetal housing

#### Mounting:

Die-cast aluminum backbox with (4) 1/2" conduit openings with plugs. Hinged tether for easy installation and wiring. Also accommodates 1/2" or 3/4" NPS pendants (provided by others).

#### Lens:

High-transmission and vandal-resistant polycarbonate frosted lens

#### Reflector:

Specular polycarbonate

#### Green Technology:

Mercury and UV free. RoHS compliant components. Polyester powder coat finish formulated without the use of VOC or toxic heavy metals.

### LED Characteristics

#### LEDs:

Long-life, high-efficiency surface mounting LEDs

#### Lifespan:

100,000-hour LED lifespan based on IES LM-80 results and TM-21 calculations.

#### Color Consistency:

7-step MacAdam Ellipse binning to achieve consistent fixture-to-fixture color.

#### Color Stability:

LED color temperature is warrantied to shift no more than 200K in CCT over a 5 year period

#### Color Uniformity:

RAB's range of CCT (Correlated Color Temperature) follows the guidelines of the American National Standard for Specifications for the Chromaticity of Solid State Lighting (SSL) Products, ANSI C78.377-2015.

### Other

#### Warranty:

RAB warrants that our LED products will be free from defects in materials and workmanship for a period of five (5) years from the date of delivery to the end user, including coverage of light output, color stability, driver performance and fixture finish.

#### California Title 24:

PORTO with 0-10V dimming driver (/D10) complies with 2013 California Title 24 building and electrical codes as non-residential indoor fixture when used with the RAB Stealth.

#### Country of Origin:

Designed by RAB in New Jersey and assembled in the USA by RAB's IBEW Local 3 workers.

#### Buy American Act Compliant:

This product is a COTS item manufactured in the United States, and is compliant with the Buy American Act.

**Technical Specifications (continued)**

**Other**

**Recovery Act (ARRA) Compliant:**

This product complies with the 52.225-21 "Required Use of American Iron, Steel, and Manufactured Goods-- Buy American Act-- Construction Materials (October 2010).

**Trade Agreements Act Compliant:**

This product is a COTS item manufactured in the United States, and is compliant with the Trade Agreements Act.

**GSA Schedule:**

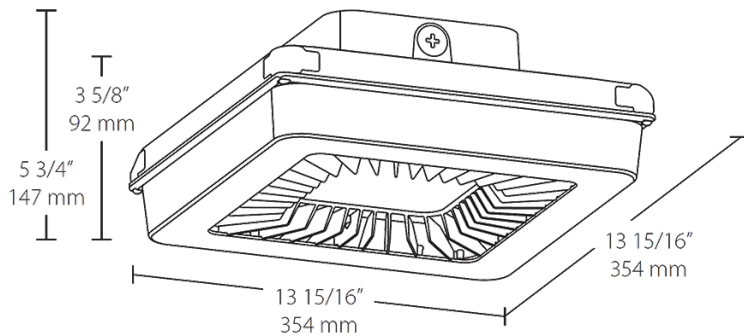
Suitable in accordance with FAR Subpart 25.4.

**Sensor Specifications**

**Handheld Wireless Configuration Tool:**

Adjust settings using handheld wireless configuration tool. Only available with 0-10V dimming driver options.

**Dimensions**



**Features**

- Ultra-high efficiency
- Pendant or surface mount
- IP 66 rated, keeps water and dust out
- Low glare, vandal-resistant polycarbonate lens
- 20% uplight eliminates "cave effect"
- 100,000-Hour LED lifespan
- 5-year warranty

**Ordering Matrix**

Family	Watts	Color Temp	Finish	Voltage	Dimming
PRT	55	N			/D10
	30 = 30W 42 = 42W 55 = 55W	Blank = 5000K (Cool) Y = 3000K (Warm) N = 4000K (Neutral)	Blank = Bronze W = White	Blank = 120-277V /480 = 480V	Blank = No Dimming /D10 = Dimmable