

Project:	Type:
Prepared By:	Date:

Driver Info		LED Info	
Type	Constant Current	Watts	8.00W
120V	0.115A	Color Temp	4000K (Neutral)
208V	N/A	Color Accuracy	90 CRI
240V	N/A	L70 Lifespan	50,000
277V	N/A	Lumens	650
Input Watts	8.00W	Efficacy	81.3 LPW
Efficiency	N/A		

Technical Specifications

Listings

UL Listed:

Suitable for wet locations

ENERGY STAR V2.2:

This product is ENERGY STAR® Version 2.2 Certified.

Energy Star Model Number:

DLR0085

NEC Compliant:

Suitable for use in closets. Compliant with NEC Sec. 410.16 (A)(1) and 410.16 (C)(3).

California Title 24:

Can be used to conform with the requirements of California Title 24 Part 6.

Electrical

Dimming Driver:

TRIAC compatible dimmer with dimming as low as 5%. [See dimmer compatibility guide here.](#)

Remote Driver:

Die-cast metal driver / junction box with a hinged cover. Listed for 12AWG and 14AWG conduit. Includes two metal knockouts for wiring. Quick connectors included.

PF:

≥0.9

Input Voltage:

120V

Operating Frequency (Hz):

60Hz

LED Characteristics

Lifespan:

50,000-hour LED lifespan based on IES LM-80 results and TM-21 calculations

LEDs:

Long-life, high-efficacy, surface-mount LEDs

Wattage Equivalency:

60W Incandescent

R9 Value:

High color performance with R9 greater than or equal to 50

Flicker:

Silent and flicker free operations of less than 30%

Construction

IC Rated:

Suitable for direct contact with insulation

Air Tight:

Housing certified Air Tight as per ASTM E283

Housing:

Precision die-cast aluminum

Trim Style:

Baffle Trim

Cold Weather Starting:

The minimum starting temperature is -30°C (-22°F)

Technical Specifications (continued)

Construction

Maximum Ambient Temperature:

Suitable for use in 35°C (95°F)

Green Technology:

Mercury and UV free. RoHS-compliant components.

Mounting:

Robust retention clips spring loaded tabs ensure the fixture is securely installed. Can be installed in 1/4" to 1 1/2" thick ceilings.

Lens:

Diffuse Polystyrene lens produces smooth uniform light that is glare free

Finish:

Matte White

Optical

Beam Angle:

38° narrow beam spread for accent lighting

Other

Template:

Template included for easy ceiling cut out

Warranty:

RAB warrants that our LED products will be free from defects in materials and workmanship for a period of five (5) years from the date of delivery to the end user, including coverage of light output, color stability, driver performance and fixture finish. RAB's warranty is subject to all terms and conditions found at rablighting.com/warranty.

Buy American Act Compliance:

RAB values USA manufacturing! Upon request, RAB may be able to manufacture this product to be compliant with the Buy American Act (BAA). Please contact customer service to request a quote for the product to be made BAA compliant.

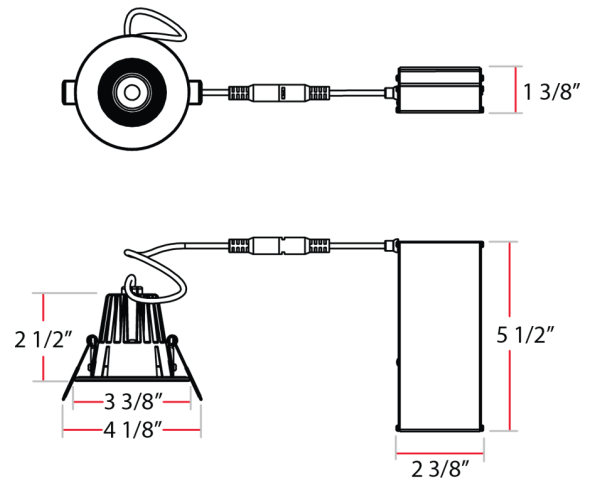
Minimum Compartment Size

Length x Width x Height [in]	Lamp Quantity
47.8 x 23.8 x 3.0	4

Case and Pallet Dimensions

	QTY	LENGTH	WIDTH	HEIGHT
CASE	6	10.63	9.84	5.71
PALLET	768	4.72	3.35	46.85

Dimension



Features

- Deep regressed lens
- No recessed housing or J-box required
- New construction or retrofit applications
- UL wet location rated
- Spring loaded retention clips
- Robust, die cast aluminum construction
- IC and airtight rated
- 5-Year, No-Compromise Warranty

Ordering Matrix

Family	Size	Shape	Wattage	CRI/Color Temp	Voltage	Finish	Trim
R	2	R	8	940	120	W	B
2 = 2"		R = Round	8 = 8W	940 = 90 CRI, 4000K (Neutral) 930 = 90 CRI, 3000K (Warm) 927 = 90 CRI, 2700K (Residential Warm)	120 = 120V	W = White	B = Baffle