



Sand cast aluminum "Y" adapter mounts two floodlights in a single 1/2" threaded hole.

Color: Natural

Weight: 0.1 lbs

Project:	Type:
Prepared By:	Date:

Technical Specifications

Listings

UL Listing:

Suitable for wet locations.

Other

Outlet Box Construction:

Precision die cast aluminum.

Country of Origin:

Designed by RAB in New Jersey and assembled in Taiwan.

Trade Agreements Act Compliant:

This product is a product of Taiwan and a "designated country" end product that complies with the Trade Agreements Act.

GSA Schedule:

Suitable in accordance with FAR Subpart 25.4.

Construction

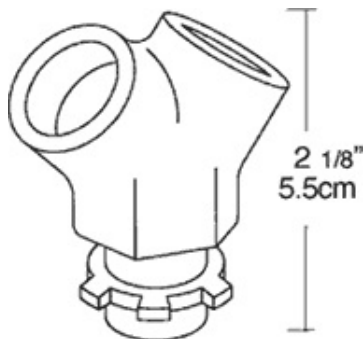
Outlet Box Mounting Lugs:

16 gauge corrosion protected steel with Phillips Flat head mounting screws.

Ground Screw:

#10-24 Green corrosion protected steel slotted hex washer head screw provided in pre-tapped hole.

Dimensions



Features

- Sand cast aluminum
- Mounts two floodlights
- 1/2" threaded hole