

product

2" deep regress downlight delivers higher lumen output and reduces glare.

Color: Satin aluminum trim matte cone

Weight: 2.9 lbs

**Project:**

**Type:**

**Prepared By:**

**Date:**

**Driver Info**

Type: Constant Current  
 120V: 0.11A  
 208V: 0.07A  
 240V: 0.06A  
 277V: 0.05A  
 Input Watts: 12W  
 Efficiency: 83%

**LED Info**

Watts: 10W  
 Color Temp: 3000K  
 Color Accuracy: 81 CRI  
 L70 Lifespan: 100000  
 Lumens: 967  
 Efficacy: 81 LPW

## Technical Specifications

### Listings

**UL Listing:**

Suitable for Wet Locations. Covered Ceiling Mount Only.

**ENERGY STAR® V2.0:**

This product is ENERGY STAR® Version 2.0 Certified.

### Electrical

**Driver:**

Constant Current, Class 2, 120-277V, 50/60 Hz, 120V: 0.11A, 208V: 0.07A, 240V: 0.06A, 277V: 0.05A

**Dimming Driver:**

0 - 10V (at 120-277V), TRIAC and ELV (at 120V only).

**THD:**

16.2% at 120V, 26.1% at 277V

**Power Factor:**

98.4% at 120V, 90.3% at 277V

**Surge Protection:**

4kV

### Optical

**Optics:**

40° beam

### LED Characteristics

**Lifespan:**

100,000-hour LED lifespan based on IES LM-80 results and TM-21 calculations.

**LEDs:**

Long-life, high-efficiency, surface mount LEDs.

**Color Stability:**

LED color temperature is warranted to shift no more than 200K in CCT over a 5 year period.

### Construction

**Cold Weather Starting:**

Minimum starting temperature is -35°C (-31°F)

**Maximum Ambient Temperature:**

Suitable for use in 40°C (104°F) ambient temperatures

**Housing:**

Specification-grade, die-cast aluminum construction

**Reflector:**

Vacuum metalized polycarbonate

**Trim Ring:**

Satin aluminum powder coated die cast trimless ring.

**Trim Cone:**

Matte silver square trim cone.

**Lens:**

Optical grade polycarbonate

**Green Technology:**

Mercury and UV free. RoHS compliant components. Polyester powder coat finish formulated without the use of VOC or toxic heavy metals.

### Other

**Replacement:**

Replaces 75W MR16

**Warranty:**

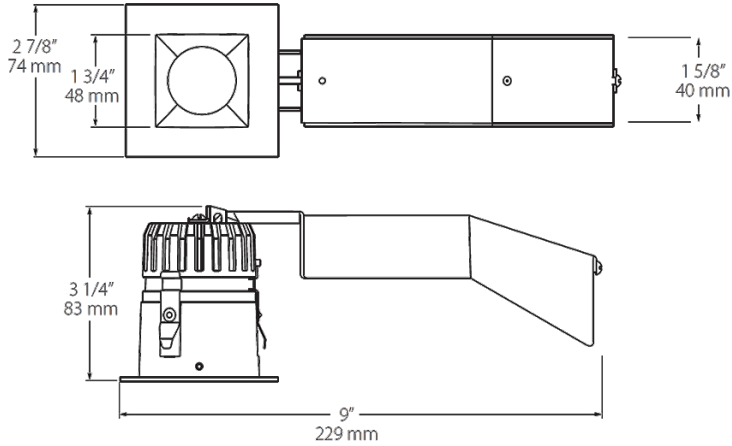
RAB warrants that our LED products will be free from defects in materials and workmanship for a period of five (5) years from the date of delivery to the end user, including coverage of light output, color stability, driver performance and fixture finish.

**Buy American Act Compliance:**

RAB values USA manufacturing! Upon request, RAB may be able to manufacture this product to be compliant with the Buy American Act (BAA). Please contact customer service to request a quote for the product to be made BAA compliant.

# RDDL2S-10D-40Y-M-SATL

## Dimensions



## Features

- 10W replaces 75W MR16
- Universal dimming (TRIAC, ELV and 0-10V) for optimal light control
- Deep regress design improves visual cutoff and reduces glare

## Ordering Matrix

Family	Size/Shape	Wattage	Driver	Optics	Color Temp	CRI	Trim Cone	Trim Ring	Trim Style
RDDL2S	2S	10	D	40	Y		M	SA	TL
	2R = 2" Round 2S = 2" Square	10 = 10W	D = Dim	20 = 20 30 = 30 40 = 40 W = Wall Wash	YY = 2700K (Residential Warm) Y = 3000K (Warm) YN = 3500K (Warm Neutral) N = 4000K (Neutral)	Blank = 80 CRI HC = 90 CRI	W = White B = Black S = Specular M = Matte	W = White B = Black S = Silver SA = Satin Nickel	T = 1/2" Trim TL = Trimless