



Color: Gray

Weight: 6.5 lbs

Project:	Type:
Prepared By:	Date:

Driver Info		LED Info	
Type	Constant Current	Watts	50W
120V	0.46A	Color Temp	3500K/4000K/5000K
208V	0.26A	Color	80 CRI
240V	0.23A	Accuracy	
277V	0.20A	L70 Lifespan	100,000 Hours
Input Watts	50/40/30W	Lumens	4080-6800
		Efficacy	130-142 lm/W

Technical Specifications

Compliance

UL Listed:

Suitable for wet locations

UL 94:

5VA flame classification

FCC:

Complies with Part 15 of the FCC Rules

NSF:

NSF Certified by Public Health and Safety

NEMA Rating:

4X, protected against corrosion

IESNA LM-79 & LM-80 Testing:

RAB LED luminaires and LED components have been tested by an independent laboratory in accordance with IESNA LM-79 and LM-80.

DLC Listed:

This product is listed by Design Lights Consortium (DLC) as an ultra-efficient premium product that qualifies for the highest tier of rebates from DLC Member Utilities. Designed to meet DLC 5.1 requirements.

DLC Product Code: S-5HVM30

Electrical

Driver:

Constant Current, Class 2, 120-277V, 50/60Hz, 120V: 0.46A, 208V: 0.26A, 240V: 0.23A, 277V 0.20A

Dimming Driver:

Driver includes dimming control wiring for 0-10V dimming systems. Requires separate 0-10V DC dimming circuit. Dims down to 10%.

THD:

3.53% at 120V, 4.35% at 277V

Power Factor:

99.9% at 120V, 96.98% at 277V

Surge Protection:

2.5kV

Battery Backup:

Battery backup will operate the fixture for 90 minutes if power fails. Wired for 120-277V.

Battery Backup Light Loss Factor:

0.207

Technical Specifications (continued)

LED Characteristics

LEDs:

Long-life, high-efficacy, surface-mount LEDs

Color Uniformity:

RAB's range of Correlated Color Temperature follows the guidelines of the American National Standard for Specifications for the Chromaticity of Solid State Lighting (SSL) Products, ANSI C78.377-2017.

Performance

Lifespan:

100,000-Hour LED lifespan based on IES LM-80 results and TM-21 calculations

Construction

IP Rating:

Ingress protection rating of IP66 for dust and water

Housing:

Impact-resistant polycarbonate* with stainless steel door clips. 1/2" NPS opening for conduit and bushing/cord entry. *Polycarbonate is affected by cleaning agents or other liquids containing partial solvents such as low molecular weight aldehydes and ethers, ketones, esters, aromatic hydrocarbons and perchlorinated hydrocarbons. [Click here for a detailed list of damaging chemicals.](#)

Mounting:

Quick-mount, stainless steel snap on brackets supplied for surface mounting. V-Hook brackets supplied standard for suspending the fixture.

Lens:

Diffuse polycarbonate lens for low glare and maximum protection

Reflector:

Cold-rolled steel

Gaskets:

High-temperature silicone gaskets

Cold Weather Starting:

The minimum starting temperature is -40°C (-40°F)

Maximum Ambient Temperature:

Suitable for use in up to 40°C (104°F)

Installation:

Tether Cables are provided for easy installation. Quick connector may be used for quick and easy wiring.

Green Technology:

Mercury and UV free. RoHS-compliant components.

Finish:

Formulated for high durability and long-lasting color

Lightcloud

Lightcloud Blue Sensor Installed:

Occupancy, vacancy, and closed loop daylight harvesting in one versatile sensor. In addition control any fixture in your Lightcloud Blue integrated/embedded networked lighting luminaire-level control system. LLLC - capable of switching, 0-10V dimming, power/energy monitoring. Can also be used to extend the range of the Lightcloud Blue utilizing a "BLE Mesh" network communication protocols. The Lightcloud Blue sensor can be attached to the fixture provided an unobstructed view of the coverage area is available. DLC system - N1XMLOEATBA [Learn more about Lightcloud.](#)

Other

5 Yr Limited Warranty:

The RAB 5-year, limited warranty covers light output, driver performance and paint finish. RAB's warranty is subject to all terms and conditions found at rablighting.com/warranty.

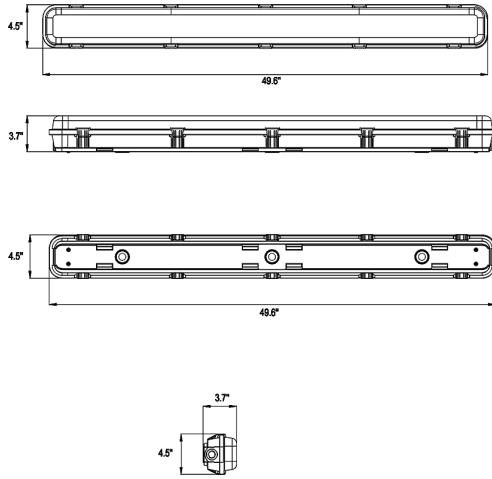
Buy American Act Compliance:

RAB values USA manufacturing! Upon request, RAB may be able to manufacture this product to be compliant with the Buy American Act (BAA). Please contact customer service to request a quote for the product to be made BAA compliant.

Equivalency :

Equivalent to (3) F32T8

Dimensions



Features

- 100,000-Hour LED lifespan
- DLC Premium Listed
- 0-10V dimming standard
- 5-Year, limited warranty

Ordering Matrix

Family	Length/Wattage	Color Temp	Finish	Voltage	Options
SEAL	4				/LCBS/E
	2 = 2 ft. 25/20/15W 4 = 4 ft. 50/40/30W 8 = 8 ft. 100/80/60W	Blank = Field Adjustable 5000K/4000K/3500K	Blank = Gray	Blank = 0-10V Dimming, 120-277V	Blank = No Option /PIR = Passive Infrared Sensor /MVS = Microwave Occupancy Sensor /E = Battery Backup /LCBS = Lightcloud Blue Passive Infrared Sensor /LCBS/MVS = Lightcloud Blue Microwave Occupancy Sensor /MVS/E = Microwave Occupancy Sensor w/ Battery Backup /PIR/E = Passive Infrared Sensor w/ Battery Backup /LCBS/E = Lightcloud Blue Sensor w/ Battery Backup /LCBS/MVS/E = Lightcloud Blue Microwave Occupancy Sensor w/ Battery Backup