



The two-foot SHARK is available in 18W and 25W versions. This impact-resistant linear LED washdown fixture is ideal for car washes, tunnels, stairwells and other hard-to-reach areas where relamping is difficult and costly.

Color: White

Weight: 7.5 lbs

Project:	Type:
Prepared By:	Date:

Driver Info		LED Info	
Type:	Constant Current	Watts:	25W
120V:	0.21A	Color Temp:	5000K
208V:	0.12A	Color Accuracy:	74 CRI
240V:	0.11A	L70 Lifespan:	100000
277V:	0.09A	Lumens:	2,697
Input Watts:	26W	Efficacy:	106 LPW
Efficiency:	98%		

Technical Specifications

Listings

UL Listing:

Suitable for wet locations.

NEMA Rating:

4X, protected against corrosion

IESNA LM-79 & LM-80 Testing:

RAB LED luminaires have been tested by an independent laboratory in accordance with IESNA LM-79 and LM-80, and have received the Department of Energy "Lighting Facts" label.

DLC Listed:

This product is on the Design Lights Consortium (DLC) Qualified Products List and is eligible for rebates from DLC Member Utilities.

DLC Product Code: PSB2DH4J

Electrical

Driver:

Class 2 Constant Current, 0.5A@100VAC, 100-277VAC, 50-60Hz, 450mA

Dimming Driver:

Driver includes dimming control for 0-10V dimming systems. Dims as low as 10%.

THD:

8.6% at 120V

Power Factor:

98.7% at 120V

Construction

IP Rating:

Ingress Protection rating of IP66 for dust and water.

Reflector/Tray:

Aluminum

Housing:

5VA impact-resistant polycarbonate with stainless steel door clips. 1/2" openings for conduit and bushing/cord entry.

Mounting:

Quick-mount, surface, stainless steel spring clips supplied. 4 additional mounting accessory kits available.

Lens:

Textured, diffuse polycarbonate lens for low glare and maximum protection

Gaskets:

EVA silicone foam

Maximum Ambient Temperature:

Suitable for use in 40°C (104°F) ambient temperatures

Cold Weather Starting:

The minimum starting temperature is -40°C/-40°F

Green Technology:

Mercury and UV free. RoHS compliant components. Polyester powder coat finish formulated without the use of VOC or toxic heavy metals.

Finish:

Our environmentally friendly polyester powder coatings are formulated for high-durability and long-lasting color, and contains no VOC or toxic heavy metals.

LED Characteristics

LEDs:

Long-life, high-efficiency surface mount LEDs

Lifespan:

100,000-hour LED lifespan based on IES LM-80 results and TM-21 calculations.

Color Stability:

LED color temperature is warranted to shift no more than 200K in CCT over a 5 year period

Color Uniformity:

RAB's range of CCT (Correlated Color Temperature) follows the guidelines of the American National Standard for Specifications for the Chromaticity of Solid State Lighting (SSL) Products, ANSI C78.377-2011.

Other

Warranty:

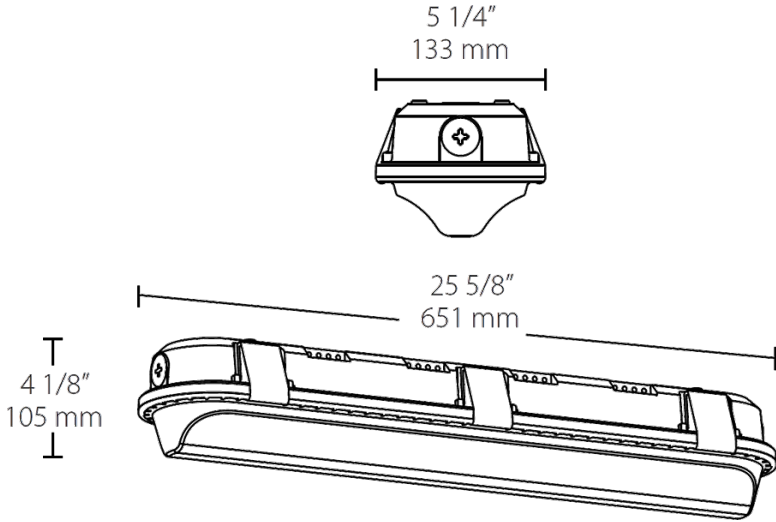
RAB warrants that our LED products will be free from defects in materials and workmanship for a period of five (5) years from the date of delivery to the end user, including coverage of light output, color stability, driver performance and fixture finish.

American Bureau of Shipping (ABS) :

For use on Mobile Offshore Drilling Units (MODU) and shipping vessels.

SHARK2-25W/D10

Dimensions



Features

- Impact-resistant linear washdown
- Ideal for car washes, tunnels and stairwells
- Mounting options: Chain, junction box, angled surface mount or vandal-resistant surface mount
- IP66 Rating protects against dust & water ingress
- 0-10V dimming
- 5-Year, no compromise warranty
- 100,000-Hour LED lifespan

Ordering Matrix

Family	Length	Watts	Color Temp	Finish	Dimming
SHARK	2	25		W	/D10
	2 = 2 ft	18 = 18W 25 = 25W	Blank = 5000K (Cool) Y = 3000K (Warm) YN = 3500K (Warm Neutral) N = 4000K (Neutral)	W = White	D10 = Dimmable