



Low-maintenance, high-efficiency LED retrofit fixture installs on standard junction boxes.

Color: White

Weight: 2.2 lbs

Project:

Type:

Prepared By:

Date:

Driver Info

Type:	Constant Current
120V:	0.09A
208V:	N/A
240V:	N/A
277V:	N/A
Input Watts:	10W
Efficiency:	97%

LED Info

Watts:	10W
Color Temp:	2700K
Color Accuracy:	82 CRI
L70 Lifespan:	50000
Lumens:	938
Efficacy:	91 LPW

Technical Specifications

Listings

UL Listing:

Suitable for damp locations

ENERGY STAR® V2.0:

This product is ENERGY STAR® V2.0 qualified.

IESNA LM-79 & LM-80 Testing:

RAB LED luminaries have been tested by an independent laboratory in accordance with IESNA LM-79 and LM-80, and have received the Department of Energy "Lighting Facts" label.

LED Characteristics

Lifespan:

50,000-hour LED lifespan based on IES LM-80 results and TM-21 calculations.

LEDs:

Long-life, high-efficiency surface mount LEDs

Color Consistency:

3-step MacAdam Ellipse binning to achieve consistent fixture-to-fixture color

Color Stability:

LED color temperature is warrantied to shift no more than 200K in CCT over a 5 year period.

Color Uniformity:

RAB's range of CCT (Correlated Color Temperature) follows the guidelines of the American National Standard for Specifications for the Chromaticity of Solid State Lighting (SSL) Products, ANSI C78.377-2011.

Electrical

Driver:

120VAC TRIAC, Constant Current, Class 2, 60 Hz, 0.09A

Dimming Driver:

Compatible with TRIAC dimming at 120V.

THD:

22% at 120V

Power Factor:

95.9% at 120V

Construction

Cold Weather Starting:

The minimum starting temperature is -4°F/-20°C.

Maximum Ambient Temperature:

Suitable for use in 40°C (104°F) ambient temperatures

Housing:

Steel sheet metal

Mounting:

Ceiling or wall mount to junction box

Reflector:

White painted, reflective, steel sheet metal

Lens:

Diffused Polymethyl Methacrylate (PMMA)

Green Technology:

Mercury and UV free. RoHS compliant components. Polyester powder coat finish formulated without the use of VOC or toxic heavy metals.

Finish:

Our environmentally friendly polyester powder coatings are formulated for high-durability and long-lasting color, and contain no VOC or toxic heavy metals.

Other

Replacement:

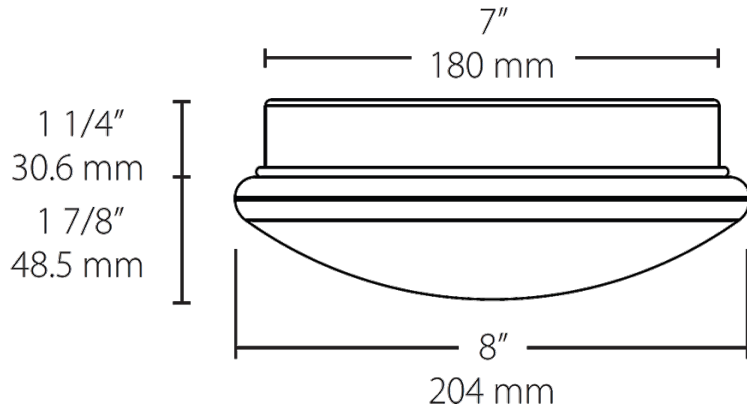
SKEET™ XL 10W replaces two 9W CFL or 24W Circline.

Warranty:

RAB warrants that our LED products will be free from defects in materials and workmanship for a period of five (5) years from the date of delivery to the end user, including coverage of light output, color stability, driver performance and fixture finish.

SK8XL10RYY

Dimensions



Features

- Surface mount to ceiling or wall
- Opal lens provides soft, smooth light
- Compatible with TRIAC dimming

Ordering Matrix

Family	Size	Type	Watts	Style	Color Temp
SK	8	XL	10	R	YY
	21 = 21" 16 = 16" 12 = 12" 8 = 8"	XL = Skeet XL	25 = 25W (21" only) 20 = 20W (16" only) 12 = 12W (12" only) 10 = 10W (8" only)	R = Round Basic RD = Round w/ Decorative Ring	N = 4000K (Neutral) YN = 3500K (Warm Neutral) Y = 3000K (Warm) YY = 2700K (Residential Warm)