



Color: Bronze

Weight: 7.1 lbs

<b>Project:</b>	<b>Type:</b>
<b>Prepared By:</b>	<b>Date:</b>

Driver Info		LED Info	
Type	Constant Current	Watts	60W
120V	0.50A	Color	3000K/4000K/5000K
208V	0.40A	Temp	
240V	0.30A	Color Accuracy	80 CRI
277V	0.25A	L70	100,000 Hours
Input Watts	57.9/58.4/57.2W	Lifespan	
		Lumens	7035/8190/7251
		Efficacy	121.6/140.3/126.7 Im/W

## Technical Specifications

### Field Adjustability

#### Field Adjustable:

Color temperature selectable by 3000K, 4000K and 5000K

### Compliance

#### UL Listed:

Suitable for wet locations

#### IESNA LM-79 & IESNA LM-80 Testing:

RAB LED luminaires and LED components have been tested by an independent laboratory in accordance with IESNA LM-79 and LM-80.

#### Dark Sky Conformance:

Conforms to (allows for conformance to) the IDA's fully shielding requirement, emitting no light above 90 degrees (with the exclusion of incidental light reflecting from fixture housing, mounts, and pole).

#### DLC Listed:

This product is listed by Design Lights Consortium (DLC) as an ultra-efficient premium product that qualifies for the highest tier of rebates from DLC Member Utilities. Designed to meet DLC 5.1 requirements.

DLC Product Code: PLMK5TZVA46N

### Performance

#### Lifespan:

100,000-Hour LED lifespan based on IES LM-80 results and TM-21 calculations

### LED Characteristics

#### LEDs:

Long-life, high-efficiency, surface-mount LEDs

### Electrical

#### Driver:

Constant Current, Class 2, 120-277V, 50/60 Hz, 120V: 0.50A, 208V: 0.40A, 240V: 0.30A, 277V: 0.25A

#### Dimming Driver:

Driver includes dimming control wiring for 0-10V dimming systems. Requires separate 0-10V DC dimming circuit. Dims down to 10%.

#### Photocell:

120-277V selectable photocell that can be turned on and off.

### Note:

All values are typical (tolerance +/- 10%)

### Construction

#### IP Rating:

Ingress protection rating of IP65 for dust and water

#### Cold Weather Starting:

Minimum starting temperature is -40°C (-40°F)

#### Maximum Ambient Temperature:

Suitable for use in up to 50°C (122°F)

**Technical Specifications (continued)**

**Construction**

**Housing:**

Precision die-cast aluminum housing and door frame

**Lens:**

Polycarbonate lens

**Mounting:**

Hinged wiring access and conduit entries on the back, sides, top and bottom make installation a snap

**Cut Off:**

Full cutoff (0°)

**Finish:**

Formulated for high durability and long-lasting color

**Green Technology:**

Mercury and UV free. RoHS-compliant components.

**Other**

**5 Yr Limited Warranty:**

The RAB 5-year, limited warranty covers light output, driver performance and paint finish. RAB's warranty is subject to all terms and conditions found at [rablighting.com/warranty](http://rablighting.com/warranty).

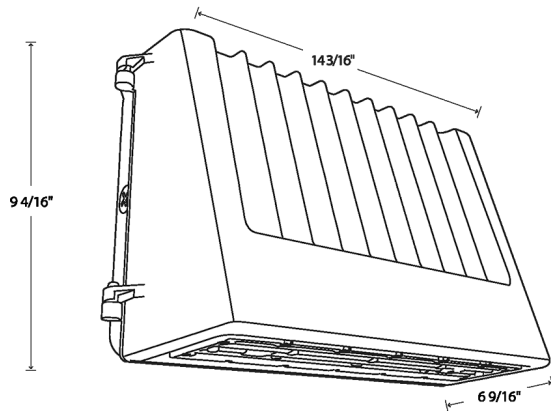
**Equivalency:**

Equivalent to 350W Metal Halide

**Buy American Act Compliance:**

RAB values USA manufacturing! Upon request, RAB may be able to manufacture this product to be compliant with the Buy American Act (BAA). Please contact customer service to request a quote for the product to be made BAA compliant.

**Dimensions**



**Features**

Selectable CCT

Full cutoff

Selectable on/off photocell

0-10V dimming standard

**Ordering Matrix**

Family	Style	Wattage
SLIM17FA	FC	60
	FC = Full cutoff	40 = 40W 60 = 60W