



Mini Sensor and 75w or double 75w quartz bullet floods. Quartz Bullet has silicone O-ring gasket, thick tempered glass lens, internal and external cooling fins. Gold plated socket contacts and 250°C Teflon coated wires for extended lamp life. Lamp supplied.

Color: White

Weight: 2.1 lbs

<b>Project:</b>	<b>Type:</b>
<b>Prepared By:</b>	<b>Date:</b>

**Technical Specifications**

**Listings**

**UL Listing:**

Suitable for wet locations.

**Optical**

**Lamp:**

75W T4 Bipin Lamp included.

**Electrical**

**Socket:**

GY8.

**Switching Capacity:**

500 watts Incandescent or 100 watts Fluorescent at 120 volts.

**Voltage:**

120 volts AC, 60Hz.

**Surge Protection:**

Withstands up to 3000 volts.

**RF Immunity:**

Circuits fully shielded for maximum radio frequency immunity.

**Other**

**Detection Zone:**

Full 180 degrees by 30'.

**"No Hands" Auto Testing:**

Auto mode starts after 4 minutes of testing. No adjustment needed.

**Photoelectric Control:**

Deactivates lights during daylight. Fully adjustable for 24 hour operation or custom applications.

**Manually Override:**

Double flip wall switch logic prevents activation by short power outages. Resets after 6 hours. No extra wiring needed.

**Patents:**

RAB sensor fixture designs are protected under U.S. and international intellectual property laws.

**Sensor Characteristics**

**Quick Test Time:**

5 seconds test time for fast installation. Works day or night.

**Time Adjustment:**

5 seconds to 15 minutes.

**Construction**

**Vandal Resistant Lens:**

Hard lens resists vandalism.

**Case Construction:**

Precision molded Lexan.

**Built for Severe Conditions:**

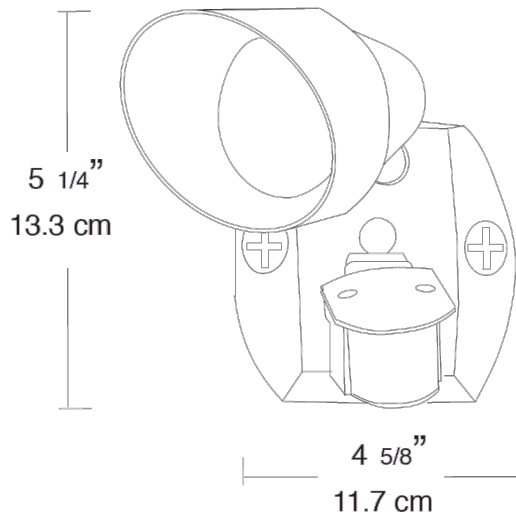
Double weatherproofing for long life.

**LED Characteristics**

**LED Detection Indicator:**

Glows red day and night for "on-guard" deterrence.

## Dimensions



## Features

- Surge protected
- 180° detection pattern
- Quick installation with 5 second test time and auto test logic
- LED "on guard" indicator
- Protected manual override with auto reset after 8 hours or at dawn