



Project:	Type:
Prepared By:	Date:

Driver Info		LED Info	
Type	Constant Current	Watts	19/14/10W
120V	0.16A/0.12A/0.08A	Color Temp	5000K/4000K/3500K
208V	0.09A/0.07A/0.05A	Color Accuracy	83-85 CRI
240V	0.08A/0.06A/0.04A	L70 Lifespan	50,000 Hours
277V	0.07A/0.05A/0.04A	Lumens	1,552-2,998 lm
Input Watts	10-20.6W	Efficacy	140.6-160.6 lm/W

Technical Specifications

Field Adjustability

Field Adjustable:

Field Adjustable Light Output: 19W/14W/10W (factory default 19W)
Color temperature selectable by 5000K, 4000K and 3500K (factory default 4000K)

Compliance

UL Listed:

Suitable for damp locations

IESNA LM-79 & LM-80 Testing:

RAB LED luminaires and LED components have been tested by an independent laboratory in accordance with IESNA LM-79 and LM-80.

DLC Listed:

This product is on the Design Lights Consortium (DLC) Qualified Products List and is eligible for rebates from DLC Member Utilities. Designed to meet DLC 5.1 requirements.
DLC Product Code: S-BY8SM3

LED Characteristics

LEDs:

Long-life, high-efficacy, discrete, surface-mount LEDs

Color Uniformity:

RAB's range of Correlated Color Temperature follows the guidelines of the American National Standard for Specifications for the Chromaticity of Solid State Lighting (SSL) Products, ANSI C78.377-2017.

Color Consistency:

4-step MacAdam Ellipse binning to achieve consistent fixture-to-fixture color

Performance

Lifespan:

50,000-Hour LED lifespan based on IES LM-80 results and TM-21 calculations

Electrical

Dimming Driver:

Driver includes dimming control wiring for 0-10V dimming systems. Requires separate 0-10V DC dimming circuit. Dims down to 10%.

THD:

6.33% at 120V, 12.02% at 277V

Power Factor:

99.8% at 120V, 98.22% at 277V

Surge Protection:

1kV+2kV

Battery Backup:

Battery backup will operate the fixture for 90 minutes if power fails. Wired for 120-277V.

Battery Backup Light Loss Factor:

19W: 0.0223
14W: 0.0276
10W: 0.042

Technical Specifications (continued)

Construction

Cold Weather Starting:

The minimum starting temperature is 0°C (32°F)

Maximum Ambient Temperature:

Suitable for use in up to 50°C (122°F)

Lens:

Polycarbonate lens

Housing:

Iron

Mounting:

Surface mounting standard. V-Hooks and Chain mounting available (ordered separately, SR VHOOK KIT).

Green Technology:

Mercury and UV free. RoHS-compliant components.

Finish:

Formulated for high durability and long-lasting color

Other

5 Yr Limited Warranty:

The RAB 5-year, limited warranty covers light output, driver performance and paint finish. RAB's warranty is subject to all terms and conditions found at rablighting.com/warranty.

Accessories:

Suspended Mounting Kit: SR VHOOK KIT
Surface Mount Kit: SR JOIN KIT

Note:

All values are typical (tolerance +/- 10%)

Buy American Act Compliance:

RAB values USA manufacturing! Upon request, RAB may be able to manufacture this product to be compliant with the Buy American Act (BAA). Please contact customer service to request a quote for the product to be made BAA compliant.

Lightcloud

Lightcloud Blue Sensor Installed:

Occupancy, vacancy, and closed loop daylight harvesting in one versatile sensor. In addition control any fixture in your Lightcloud Blue integrated/embedded networked lighting luminaire-level control system. LLLC - capable of switching, 0-10V dimming, power/energy monitoring. Can also be used to extend the range of the Lightcloud Blue utilizing a "BLE Mesh" network communication protocols. The Lightcloud Blue sensor can be attached to the fixture provided an unobstructed view of the coverage area is available.
DLC system - N1XMLOEATBA
[Learn more about Lightcloud.](#)

Sensor Specifications

Sensor Sensitivity:

Low/Medium/High

Occupancy Timeout:

1min to 240mins

Inside Occupancy Mode:

Set vacant dim level from off and any dim level

Daylight Threshold:

150lux to 1500lux

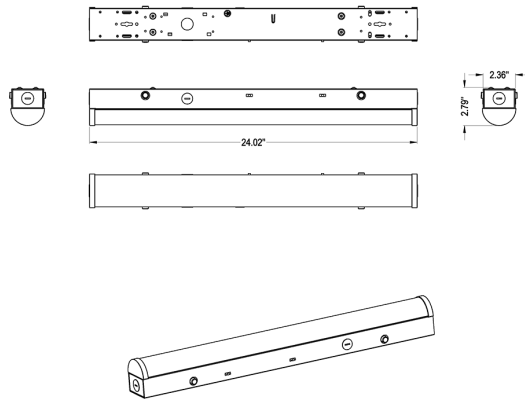
Sensor Warranty:

5 year sensor warranty

Mounting Height:

Max 39.37ft(12m)

Dimensions



Features

- 50,000-Hour LED lifespan
- 120-277V standard
- 0-10V dimming standard
- DLC Premium Listed
- 5-Year, limited warranty

Ordering Matrix

Family	Size/Wattage	Color Temp	Mounting	Finish	Options
SR	2				/LCBS/MVS/E
	2 = 2ft (19/14/10W) 4 = 4ft (40/30/20W) 8 = 8ft (60/50/40W)	Blank = 5000K/4000K/3500K Field Adjustable	Blank = J-Box Adaptor	Blank = White	Blank = No Option /E = Battery Back Up /MVS = Microwave Occupancy Sensor /PIR = Passive Infrared Occupancy Sensor /LCBS = Lightcloud Blue PIR Sensor /LCBS/MVS = Lightcloud Blue MVS Sensor /MVS/E = Microwave Occupancy Sensor w/ Battery Back Up /PIR/E = Passive Infrared Occupancy Sensor w/ Battery Back Up /LCBS/E = Lightcloud Blue PIR sensor w/ Battery Back Up /LCBS/MVS/E = Lightcloud Blue MVS sensor w/ Battery Back Up