



LED efficiency and performance in an economical 2'x2' center basket troffer. Includes built-in support for Lightcloud, a wireless lighting control system fully developed and supported by RAB.

Color: White

Weight: 13.7 lbs

Project:	Type:
Prepared By:	Date:

Driver Info		LED Info	
Type:	Constant Current	Watts:	19W
120V:	0.16A	Color Temp:	3500K
208V:	0.10A	Color Accuracy:	84 CRI
240V:	0.09A	L70 Lifespan:	100000
277V:	0.08A	Lumens:	2,376
Input Watts:	20W	Efficacy:	120 LPW
Efficiency:	96%		

Technical Specifications

Lightcloud

Lightcloud Installed:

Lightcloud is a commercial wireless lighting control system and service fully developed and supported by RAB. It's powerful and flexible, yet easy to use and install.

Listings

UL Listing:

Suitable for damp locations

DLC Listed:

This product is listed by Design Lights Consortium (DLC) as an ultra-efficient premium product that qualifies for the highest tier of rebates from DLC Member Utilities.

DLC Product Code: P257GF5G

IESNA LM-79 & IESNA LM-80 Testing:

RAB LED luminaires have been tested by an independent laboratory in accordance with IESNA LM-79 and 80, and have received the Department of Energy "Lighting Facts" label.

Electrical

Driver:

Class 2, Constant Current, 100-277V, 50/60Hz, 120V: 0.16A, 208V: 0.10A, 240V: 0.09A, 277V: 0.08A, THD <15%, Power Factor >90%, 4kV surge protection

Dimming Driver:

Driver includes dimming control for 0-10V dimming systems. Requires separate 0-10V DC dimming circuit. Dims as low as 10%.

THD:

13.0% at 120V, 12.6% at 277V

Power Factor:

98.6% at 120V, 90.1% at 277V

Construction

Ambient Temperature:

Suitable for 40°C (104°F) ambient temperatures

IC Rating:

Suitable for direct contact with insulation

Housing:

Die-formed, 20-gauge, cold-rolled steel

Mounting:

Integral T-grid clips make installation easy and secure

Reflector:

High-reflectance, powder-coated finish, optimized for uniform distribution

Lens:

Snap-in, frosted polycarbonate lens

Finish:

Our environmentally friendly polyester powder coatings are formulated for high-durability and long-lasting color, and contains no VOC or toxic heavy metals.

Green Technology:

Mercury and UV free. RoHS compliant components. Polyester powder coat finish formulated without the use of VOC or toxic heavy metals.

LED Characteristics

LEDs:

Long-life, high-efficiency surface mount LEDs

Lifespan:

100,000-hour LED lifespan based on IES LM-80 results and TM-21 calculations.

Color Stability:

LED color temperature is warranted to shift no more than 200K in CCT over a 5 year period.

Color Uniformity:

RAB's range of CCT (Correlated Color Temperature) follows the guidelines of the American National Standard for Specifications for the Chromaticity of Solid State Lighting (SSL) Products, ANSI C78.377-2011.

Other

Replacement:

19 Watt 2x2 replaces (2) F17 T8 or (2) F24 T5

Warranty:

RAB warrants that our LED products will be free from defects in materials and workmanship for a period of five (5) years from the date of delivery to the end user, including coverage of light output, color stability, driver performance and fixture finish.

Patents:

This design is protected by patents pending in US, Canada, China, Taiwan and Mexico.

Country of Origin:

Designed by RAB in New Jersey and assembled in the USA by RAB's IBEW Local 3 workers.

Buy American Act Compliant:

This product is a COTS item manufactured in the United States, and is compliant with the Buy American Act.

Recovery Act (ARRA) Compliant:

This product complies with the 52.225-21 "Required Use of American Iron, Steel, and Manufactured Goods-- Buy American Act-- Construction Materials (October 2010).

Technical Specifications (continued)

Other

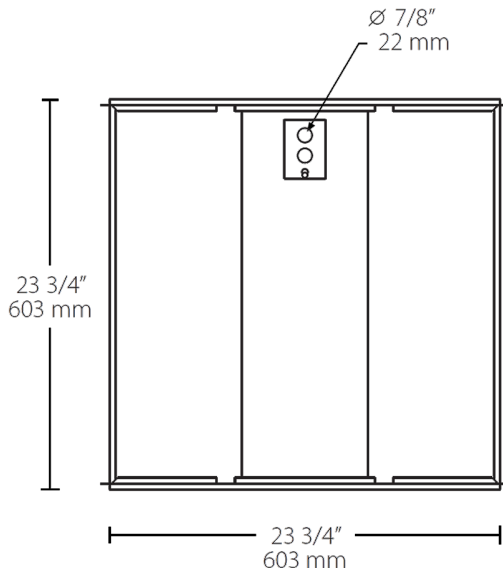
Trade Agreements Act Compliant:

This product is a COTS item manufactured in the United States, and is compliant with the Trade Agreements Act.

GSA Schedule:

Suitable in accordance with FAR Subpart 25.4.

Dimensions



Features

- Ultra-efficient performance with DLC Premium listing
- Optional surface mount and drywall frame kits available
- 0-10V dimming standard on all models
- 100,000-hour LED lifespan
- 5-year warranty
- Easy setup - simply power on, confirm device connectivity and call 844-LIGHTCLOUD

Ordering Matrix

Family	Size	Watts	Color Temp	Dimming	Lightcloud
SWISH	2X2	19	YN	/D10	/LC
	2X2 = 2' x 2'	19 = 19W 29 = 29W	Y = 3000K (Warm) YN = 3500K (Warm Neutral) N = 4000K (Neutral)	/D10 = Dimmable	/LC = Lightcloud