



Project:	Type:
Prepared By:	Date:

Driver Info		LED Info	
Type	Constant Current	Watts	29W
120V	0.26A	Color Temp	3500K (Warm Neutral)
208V	0.14A	Color Accuracy	82 CRI
240V	0.12A	R9	4.5
277V	0.11A	L70 Lifespan	100,000
Input Watts	28.30W	Lumens	3,266
Efficiency	N/A	Efficacy	115.4 LPW

Technical Specifications

Lightcloud

Lightcloud Controller Installed:

Fixture, Zone, and plug-load control from one powerful device. Capable of switching, 0-10V dimming, power monitoring. Can also be used to extend the range of the Lightcloud mesh network. Attach to fixture, junction box, or electrical panel. [Learn more about Lightcloud.](#)

Other

:

Warranty:

RAB warrants that our LED products will be free from defects in materials and workmanship for a period of five (5) years from the date of delivery to the end user, including coverage of light output, color stability, driver performance and fixture finish. RAB's warranty is subject to all terms and conditions found at rablighting.com/warranty.

Buy American Act Compliance:

RAB values USA manufacturing! Upon request, RAB may be able to manufacture this product to be compliant with the Buy American Act (BAA). Please contact customer service to request a quote for the product to be made BAA compliant.

Listings

UL Listed:

Suitable for dry and damp locations.

Dimming Driver:

Driver includes dimming control wiring for 0-10V dimming systems. Requires separate 0-10V DC dimming circuit. Dims as low as 10%.

THD:

5.56% at 120V, 10.85% at 277V

Power Factor:

99.6% at 120V, 96.3% at 277V

Surge Protection:

2kV

Construction

Ambient Operating Temperature:

-20°C (-4°F) to 40°C (104°F)

IC Rated:

Suitable for direct contact with insulation

Housing:

Sheet metal and extruded aluminum

Mounting:

Recessed into T-grid ceiling. Surface and recessed mounting kits available for drywall ceilings.

Reflector:

Aluminum with high reflectance white finish, optimized for uniform distribution.

Lens:

Frosted Polystyrene

Finish:

Formulated for high durability and long-lasting color

Green Technology:

Mercury and UV free. RoHS-compliant components.

LED Characteristics

LEDs:

Long-life, high-efficacy, discrete, surface-mount LEDs.

DLC Listed:

This product is on the Design Lights Consortium (DLC) Qualified Products List and is eligible for rebates from DLC Member Utilities. DLC Product Code: PBGZUX18

Electrical

Driver:

Constant Current, Class 2, 120-277V, 50/60 Hz,
120V: 0.24A, 208V: 0.14A, 240V: 0.12A, 277V:
0.11A

Technical Specifications (continued)

LED Characteristics

Lifespan:

100,000-hour LED lifespan based on IES LM-80 results and TM-21 calculations

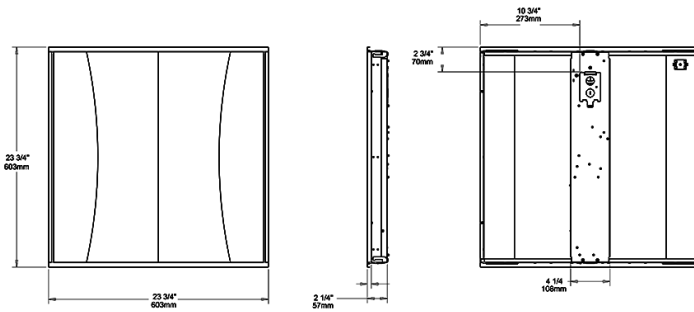
Color Stability:

LED color temperature is warranted to shift no more than 200K in CCT over a 5-year period

Color Uniformity:

RAB's range of CCT (Correlated Color Temperature) follows the guidelines of the American National Standard for Specifications for the Chromaticity of Solid State Lighting (SSL) Products, ANSI C78.377-2017.

Dimensions



Features

Contemporary LED centerbasket with direct/indirect illumination

Field-adjustable light output (3 discrete steps) - can be changed before, during or after installation

100,000-Hour LED lifespan

Ordering Matrix

Family	Size		CRI/Color Temp	Driver	Controls	Options
SWISHFA-EDGE	2X2	-	835	U	/LC	
	2X2 = 19/29/39W 2X4 = 29/39/49W		840 = 80 CRI, 4000K (Neutral) 835 = 80 CRI, 3500K (Warm Neutral)	U = 0-10V Dimming	Blank = No Option /MVS = Occupancy Sensor /LC = Lightcloud Controller /LCS = Lightcloud Sensor	Blank = No Option /E2 = Battery Backup