

<b>Project:</b>	<b>Type:</b>
<b>Prepared By:</b>	<b>Date:</b>

Swivel mount for LED Wallpack  
Color: White

Weight: 0.0 lbs

## Technical Specifications

### Construction

#### Accessory Only:

LPACK LED fixture sold separately.

#### Arm:

Use to extend fixtures away from wall and to adjust the aiming angle of the light fixture. Great for facade and sign lighting.

#### Swivel Plate:

Die cast aluminum Swivel Plate adjusts 30 degrees in both directions and mounts to RAB's WPLED10, WPLED13, WPLED18, WPLED20 and WPLED26 fixtures.

#### Mounting:

Die cast aluminum. Swivel mounts to RAB's LPACK surface junction box (not included with Swivel30) and RAB's LPACK WPLED fixtures with hardware provided. .

#### Construction:

Die cast aluminum.

#### Other

#### Country of Origin:

Designed by RAB in New Jersey and assembled in Taiwan.

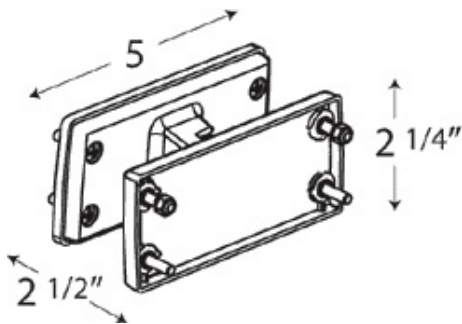
#### Trade Agreements Act Compliant:

This product is a product of Taiwan and a "designated country" end product that complies with the Trade Agreements Act.

#### GSA Schedule:

Suitable in accordance with FAR Subpart 25.4.

## Dimensions



## Features

LPACK LED fixture sold separately

Accessory for LED LPACK

Includes wires for easy connection to fixture wires and supply wires

## Ordering Matrix

Family	Angle	Finish
SWIVEL	30 = 30°	Blank = Bronze W = White