



LED roadway lighting that replaces up to 400W Metal Halide. Optics are factory installed and meet IES Distribution Type IV.

Color: Gray

Weight: 36.6 lbs

Project:	Type:
Prepared By:	Date:

Driver Info		LED Info	
Type:	Constant Current	Watts:	150W
120V:	1.20A	Color Temp:	5000K
208V:	0.88A	Color Accuracy:	72 CRI
240V:	0.76A	L70 Lifespan:	100000
277V:	0.66A	Lumens:	17,239
Input Watts:	163W	Efficacy:	106 LPW
Efficiency:	92%		

Technical Specifications

Listings

UL Listing:

Suitable for wet locations as a downlight.

DLC Listed:

This product is on the Design Lights Consortium (DLC) Qualified Products List and is eligible for rebates from DLC Member Utilities.

DLC Product Code: P7TJFNGC

IESNA LM-79 & IESNA LM-80 Testing:

RAB LED fixtures have been tested by an independent laboratory in accordance with IESNA LM-79 and 80, and have received the Department of Energy "Lighting Facts" label.

DLC Listed:

This product is on the Design Lights Consortium (DLC) Qualified Products List and is eligible for rebates from DLC Member Utilities.

Dark Sky Approved:

The International Dark Sky Association has approved this product as a full cutoff, fully shielded luminaire.

Electrical

Driver:

One Driver, Class 2 Constant Current, 100-277VAC, 50-60Hz, 1050mA, <20% TH, 90% pF

Dimming Driver:

Driver includes dimming control wiring for 0-10V dimming systems. Requires separate 0-10V DC dimming circuit. Dims as low as 10%.

Dimming Driver:

Driver includes dimming control wiring for 0-10V dimming systems. Requires separate 0-10V DC dimming circuit. Dims as low as 10%.

THD:

4.5% at 120V, 13.6% at 277V

Surge Protection:

10KV

Optical

BUG Rating:

B1 U0 G3

Construction

IES Classification:

The Type IV distribution (also known as a Forward Throw) is especially suited for illuminating the perimeter of parking areas and for intersections. It produces a semicircular distribution with essentially the same candlepower at lateral angles from 90° to 270°.

IP Rating:

Ingress Protection rating of IP66 for dust and water

Vibration Rating:

Industry-leading 5G vibration rating per ANSI C136.31.

Ambient Temperature:

Suitable for use in 40°C ambient temperatures.

Cold Weather Starting:

The minimum starting temperature is -40°C/-40°F

Thermal Management:

Superior thermal management design with external Air-Flow fins provides maximum operational life, even in high ambient temperature environments.

Housing:

Die cast aluminum housing, lens frame and mounting arm.

Mounting:

Fits most standard roadway upsweep arms. Adaptor brackets supplied fit 1", 1 1/4", 1 1/2" and 2" pole mounting clamps.

Recommended Mounting Height:

Up to 35 ft.

Effective Projected Area:

EPA = 1.7

Reflector:

Specular vacuum-metallized polycarbonate

Gaskets:

High temperature silicone gaskets

Finish:

Our environmentally friendly polyester powder coatings are formulated for high-durability and long-lasting color, and contains no VOC or toxic heavy metals.

Green Technology:

Mercury and UV free. RoHS compliant components. Polyester powder coat finish formulated without the use of VOC or toxic heavy metals.

LED Characteristics

Lifespan:

100,000-hour LED lifespan based on IES LM-80 results and TM-21 calculations.

Technical Specifications (continued)

LED Characteristics

LEDs:

Multi-chip, high-output, long-life LEDs

Color Uniformity:

RAB's range of CCT (Correlated Color Temperature) follows the guidelines of the American National Standard for Specifications for the Chromaticity of Solid State Lighting (SSL) Products, ANSI C78.377-2015.

Other

Country of Origin:

Designed by RAB in New Jersey and assembled in the USA by RAB's IBEW Local 3 workers.

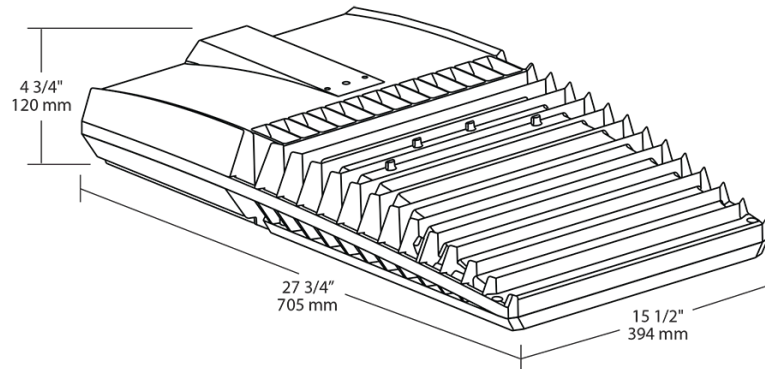
Buy American Act Compliant:

This product is a COTS item manufactured in the United States, and is compliant with the Buy American Act.

GSA Schedule:

Suitable in accordance with FAR Subpart 25.4.

Dimensions



Features

IP66 Rated

Industry-leading 5G vibration rating per ANSI C136.31

100,000-Hour LED lifespan

10-Year limited warranty