



The Turtle In-Use weatherproof cover protects in-use electrical devices in wet locations. Strong and durable enough to last in all weather conditions, year round. Clear cover with colored back plate.

Color: White

Weight: 0.4 lbs

Project:	Type:
Prepared By:	Date:

Technical Specifications

Listings

UL Listing:

Suitable for wet locations. Fixtures with ground wire must be used.

Other

Materials:

Post PVC Cap ABS In-Use Cover Clear PVC MP Adapter ABS Junction Box Polycarbonate.

Patents:

Pat. D533,510.

Country of Origin:

Designed by RAB in New Jersey and assembled in Taiwan.

Trade Agreements Act Compliant:

This product is a product of Taiwan and a "designated country" end product that complies with the Trade Agreements Act.

GSA Schedule:

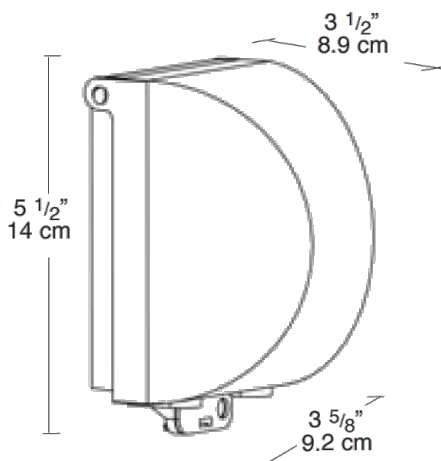
Suitable in accordance with FAR Subpart 25.4.

Construction

Set Screw:

Locks cap to post and prevents rotation.

Dimensions



Features

- Clear PVC plastic turtle cover with lockable latch
- Fits all standard rectangular covers
- Durable molded ABS Post Adapter
- Close up plug included
- Knockout holes in bottom of Post Adapter for easy wiring
- Mighty Post Adapter extends post height to keep outlets about plants and snow
- Add an electrical box to your Might Post and Lawn Light combo