



11" or 15" round fixture. 52 & 64 Watt Fluorescent lamp (supplied), or 75 or 150 Watt incandescent lamp (not supplied). Backplate is die formed heavy gauge steel in white finish with clear vandalproof polycarbonate refractor.

Color: N/A

Weight: 5.2 lbs

<b>Project:</b>	<b>Type:</b>
<b>Prepared By:</b>	<b>Date:</b>

Lamp Info		Ballast Info	
Type:	2-75W A19	Type:	N/A
Watts:	150W	120V:	N/A
Shape/Size:	N/A	208V:	N/A
Base:	N/A	240V:	N/A
ANSI:	N/A	277V:	N/A
Hours:	750	Input Watts:	0W
Lamp Lumens:	2,420		
Efficacy:	N/A		

**Technical Specifications**

**Listings**

**UL Listing:**

Suitable for wet locations. Fixtures can be wired with 90°C supply wiring if supply wires are routed 3" away from ballast.

**Electrical**

**Sockets:**

HPS & MH Medium base 4kv Pulse Rated Glazed porcelain CFL Plug-in type, thermoplastic.

**HID Quartz restrike:**

Add suffix "/QR" to Van3 (50w restrike) or Van5 (100w restrike) for HOT restrike. Provides immediate illumination in case of momentary power failure.

**Photocell:**

Button Photocell requires mounting back box. Product number VAN15BB.

**Optical**

**Refractor:**

Injection molded polycarbonate, designed for maximum structural strength.

**Construction**

**Screws:**

Tamperproof center pin Torx-head and slotted Phillips head stainless steel screws provided. Be sure to order your Torx screwdriver (Catalog # VANDRIVER).

**Reflectors / Backplate:**

Heavy gauge cold rolled steel with high reflectance baked white enamel.

**Fluorescent Ballast Starting Temperatures:**

Electronic QT 0°F/-18°C NPF 120V 32°F / 0°C.

**Other**

**Country of Origin:**

Designed by RAB in New Jersey and assembled in the USA by RAB's IBEW Local 3 workers.

**Buy American Act Compliant:**

This product is a COTS item manufactured in the United States, and is compliant with the Buy American Act.

**Recovery Act (ARRA) Compliant:**

This product complies with the 52.225-21 "Required Use of American Iron, Steel, and Manufactured Goods-- Buy American Act-- Construction Materials (October 2010).

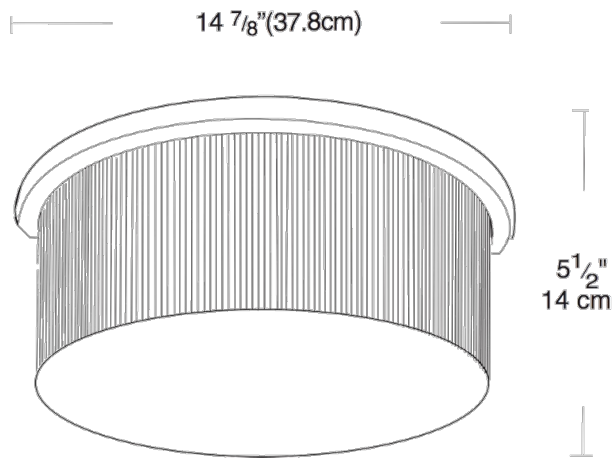
**Trade Agreements Act Compliant:**

This product is a COTS item manufactured in the United States, and is compliant with the Trade Agreements Act.

**GSA Schedule:**

Suitable in accordance with FAR Subpart 25.4.

## Dimensions



## Features

- Both Vandal proof Center Pin Torx and slotted Phillips head screws supplied
- Tough polycarbonate refractors
- Heavy gauge aluminum housing