

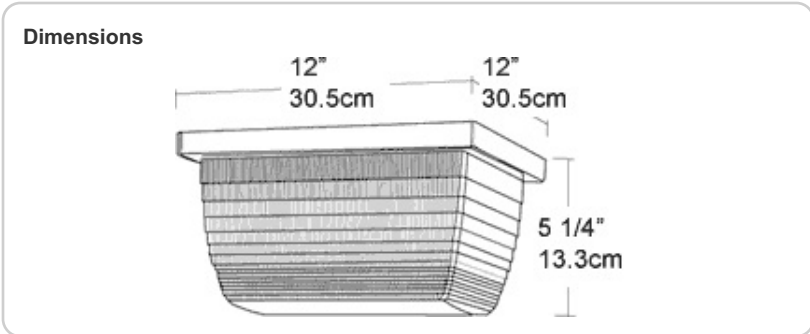


<b>Project:</b>	<b>Type:</b>
<b>Prepared By:</b>	<b>Date:</b>

Lamp Info		Ballast Info	
Type:	2-75w A-19	Type:	N/A
Watts:	150W	120V:	N/A
Shape/Size:	N/A	208V:	N/A
Base:	N/A	240V:	N/A
ANSI:	N/A	277V:	N/A
Hours:	750	Input Watts:	0W
Lamp Lumens:	2,420		
Efficacy:	N/A		

### Technical Specifications

<p><b>Listings</b></p> <p><b>UL Listing:</b> Suitable for wet locations. Fixtures can be wired with 90°C supply wiring if supply wires are routed 3" away from ballast.</p> <p><b>Electrical</b></p> <p><b>Sockets:</b> Plug-in type, thermoplastic.</p> <p><b>Photocell:</b> Button Photocell requires mounting back box. Product number VAN4BB.</p>	<p><b>Optical</b></p> <p><b>Reflector:</b> Injection molded polycarbonate, designed for maximum structural strength.</p> <p><b>Construction</b></p> <p><b>Screws:</b> Tamperproof center pin Torx-head and slotted Phillips head stainless steel screws provided. Be sure to order your Torx screwdriver (Catalog # VANDRIVER).</p> <p><b>Reflectors / Backplate:</b> Heavy gauge cold rolled steel with high reflectance baked white enamel.</p>	<p><b>Other</b></p> <p><b>Country of Origin:</b> Designed by RAB in New Jersey and assembled in Taiwan.</p> <p><b>Trade Agreements Act Compliant:</b> This product is a product of Taiwan and a "designated country" end product that complies with the Trade Agreements Act.</p> <p><b>GSA Schedule:</b> Suitable in accordance with FAR Subpart 25.4.</p>
---	---	---



### Features

- Backboxes available for conduit entry
- Both Vandal proof Center Pin Torx and slotted Phillips head screws supplied
- Tough polycarbonate refractor