



Low-profile vandal-resistant fixture covers the footprint of most traditional canopy lights. Available in flat or drop lens with photo and motion sensor controls.

Color: Bronze

Weight: 12.0 lbs

**Project:**

**Type:**

**Prepared By:**

**Date:**

### Driver Info

|              |                  |
|--------------|------------------|
| Type:        | Constant Current |
| 120V:        | N/A              |
| 208V:        | 0.20A            |
| 240V:        | 0.17A            |
| 277V:        | 0.15A            |
| Input Watts: | 22W              |
| Efficiency:  | 92%              |

### LED Info

|                 |         |
|-----------------|---------|
| Watts:          | 20W     |
| Color Temp:     | 5000K   |
| Color Accuracy: | 74 CRI  |
| L70 Lifespan:   | 100000  |
| Lumens:         | 2,352   |
| Efficacy:       | 108 LPW |

## Technical Specifications

### Listings

#### UL Listing:

Suitable for wet locations.

#### IESNA LM-79 & LM-80 Testing:

RAB LED luminaires have been tested by an independent laboratory in accordance with IESNA LM-79 and LM-80, and have received the Department of Energy "Lighting Facts" label.

#### DLC Listed:

This product is on the Design Lights Consortium (DLC) Qualified Products List and is eligible for rebates from DLC Member Utilities.  
DLC Product Code: PZQ1Z223

### Electrical

#### Driver:

Class 2, Constant Current, 100-277V, 50-60Hz, 500mA

#### THD:

6.1% at 120V, 10.1% at 277V

#### Photocell:

277V Swivel Photocell Included. Photocell is compatible with 208V-277V.

### Construction

#### Maximum Ambient Temperature:

Suitable for use in 40°C (104°F) ambient temperatures

#### Cold Weather Starting:

Minimum starting temperature is -40°F/-40°C

#### Housing:

Die-cast aluminum housing and lens frame with (4) 1/2" NPS side conduit entries and weatherproof rear wire plug and access plate

#### Mounting:

Ceiling mount to recessed junction with knockout template or directly to ceiling surface, utilizing side conduit entry points.

#### IP Rating:

Ingress Protection rating of IP66 for dust and water.

#### Lens:

Vandal-resistant polycarbonate textured opaque for low glare drop lens

#### Reflector:

Semi-specular, vacuum-metalized polycarbonate

#### Gaskets:

High-temperature silicone gaskets

#### Finish:

Our environmentally friendly polyester powder coatings are formulated for high-durability and long-lasting color, and contain no VOC or toxic heavy metals.

#### Green Technology:

Mercury and UV free. RoHS compliant components. Polyester powder coat finish formulated without the use of VOC or toxic heavy metals.

### LED Characteristics

#### LEDs:

Discreet LEDs on PCB board

#### Color Stability:

RAB LEDs exceed industry standards for chromatic stability.

#### Color Uniformity:

RAB's range of CCT (Correlated Color Temperature) follows the guidelines of the American National Standard for Specifications for the Chromaticity of Solid State Lighting (SSL) Products, ANSI C78.377-2011.

#### Other

#### Warranty:

RAB warrants that our LED products will be free from defects in materials and workmanship for a period of five (5) years from the date of delivery to the end user, including coverage of light output, color stability, driver performance and fixture finish. See our full warranty .

#### Country of Origin:

Designed by RAB in New Jersey and assembled in the USA by RAB's IBEW Local 3 workers.

#### Buy American Act Compliant:

This product is a COTS item manufactured in the United States, and is compliant with the Buy American Act.

#### Recovery Act (ARRA) Compliant:

This product complies with the 52.225-21 "Required Use of American Iron, Steel, and Manufactured Goods-- Buy American Act-- Construction Materials (October 2010).

#### Trade Agreements Act Compliant:

This product is a COTS item manufactured in the United States, and is compliant with the Trade Agreements Act.

#### GSA Schedule:

Suitable in accordance with FAR Subpart 25.4.

#### California Title 24:

VANLED models equipped with a swivel photocell comply with 2013 California Title 24 building and electrical codes as a commercial outdoor non-pole mounted fixture <30 Watts.

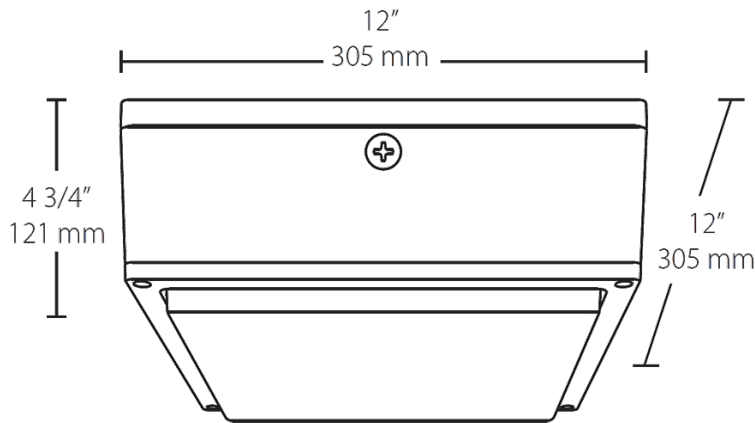
## Technical Specifications (continued)

### Other

#### Replacement:

The VANLED 20W replaces up to 70W Metal Halide.

### Dimensions



### Features

- Fits the footprint of older canopy lights
- Vandal resistant and UV resistant lens
- Ultra-high efficiency
- Clean, contemporary, low-profile design
- Available with drop lens or flat lens
- IP66 rated, keeps dust, bugs and water out
- Photo and motion sensor options available

### Ordering Matrix

| Family | Watts    | Color Temp           | Lens              | Sensor            | Finish         | Dimming                                   | Voltage                               | Photocell            |
|--------|----------|----------------------|-------------------|-------------------|----------------|---|---------------------------------------|----------------------|
| VANLED |          |                      |                   |                   |                |   |                                       |                      |
|        | 10 = 10W | Blank = 5000K (Cool) | Blank = Drop lens | Blank = No Sensor | Blank = Bronze | Blank = No Dimming                        | Blank = 120-277V                      | Blank = No Photocell |
|        | 20 = 20W | Y = 3000K (Warm)     | F = Flat lens     | MS = Mini Sensor  | W = White      | /D10 = Dimmable (10W & 20W not available) | /480 = 480V (10W & 20W not available) | /PCS = 120V Swivel   |
|        | 40 = 40W | N = 4000K (Neutral)  |                   |                   |                |   |                                       | /PCS2 = 277V Swivel  |
|        | 52 = 52W |                      |                   |                   |                |   |                                       | /PCS4 = 480V Swivel  |
|        | 65 = 65W |                      |                   |                   |                |   |                                       |                      |
|        | 75 = 75W |                      |                   |                   |                |   |                                       |                      |