



Project:	Type:
Prepared By:	Date:

Driver Info		LED Info	
Type	Constant Current	Watts	8W
120V	N/A	Color Temp	Field Adjustable
208V	N/A		5000K/4000K/3500K/3000K/2700K
240V	N/A	Color Accuracy	90 CRI
277V	N/A	L70 Lifespan	50,000 Hours
Input Watts	8W	Lumens	650-710 lm
		Efficacy	81-89 lm/W

Technical Specifications

Performance

Description:

This 4-inch adjustable gimbal wafer downlight has an ultra low-profile design and 5 field adjustable color temperatures making them a flexible solution for both new construction and retrofit applications. The remote driver box has quick connectors, knockouts, and plenty of space for daisy chain wiring or adding an emergency backup unit.

Product Type:

Recessed Downlights

Input Wattage:

8W

Lumens:

- 5000K: 700 lm
- 4000K: 710 lm
- 3500K: 705 lm
- 3000K: 685 lm
- 2700K: 650 lm

Efficacy:

- 5000K: 88 lm/W
- 4000K: 89 lm/W
- 3500K: 88 lm/W
- 3000K: 86 lm/W
- 2700K: 81 lm/W

L70 Lifespan:

50,000-Hour LED lifespan based on IES LM-70 results

Dimming:

Yes, See Dimmer Compatibility List

Wattage Equivalency:

Equivalent to 60W Incandescent

Compliance

UL Listed:

Suitable for wet locations

ENERGY STAR V2.2:

ENERGY STAR® Version 2.2 Certified

Energy Star ID:

2395410

Electrical

THD:

≤20%

Power Factor:

0.9

Operating Frequency:

60 Hz

Technical Specifications (continued)

Construction

Material:

Plastic

Trim Style:

Smooth Trim

Shape:

Round

Mounting:

Recessed ceiling

Operating Temperature Range:

-20°C - 40°C (-4°F - 104°F)

Other

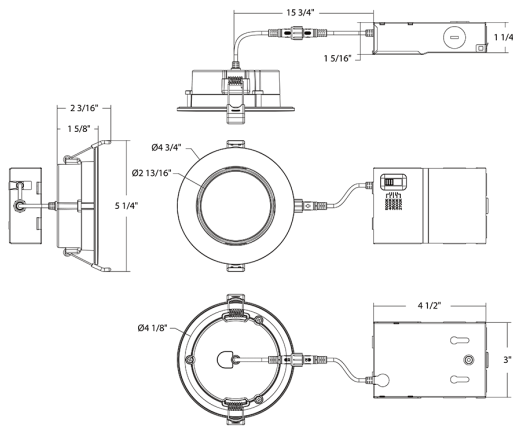
Warranty:

RAB warrants that our LED products will be free from defects in materials and workmanship for a period of five (5) years from the date of delivery to the end user, including coverage of light output, color stability, driver performance and fixture finish. RAB's warranty is subject to all terms and conditions found at rablighting.com/warranty.

Buy American Act Compliance:

RAB values USA manufacturing! Upon request, RAB may be able to manufacture this product to be compliant with the Buy American Act (BAA). Please contact customer service to request a quote for the product to be made BAA compliant.

Dimensions



Features

Shallow baffle trim provides extremely thin depth for shallow ceiling installation

Flexible 360° rotation and 25° tilt for any direction illumination

5 color temperatures in 1 SKU (2700K, 3000K, 3500K, 4000K, 5000K)

No recessed housing or J-box required

IC and airtight rated

Ordering Matrix

Family	Size	Shape	Wattage	CRI/Color Temp	Voltage	Finish	Trim
WFRLA	4	R	8	9FA	120	W	S
	4 = 4" 6 = 6"	R = Round	8 = 8W 12 = 12W	9FA = 90 CRI, Field Adjustable	120 = 120V	W = White	S = Smooth