



Color: Bronze

Weight: 11.1 lbs

Project:

Type:

Prepared By:

Date:

Driver Info

Type	Constant Current
120V	0.83A
208V	0.49A
240V	0.42A
277V	0.36A
Input Watts	99.10W
Efficiency	N/A

LED Info

Watts	100.00W
Color Temp	3000K (Warm)
Color Accuracy	73 CRI
L70 Lifespan	100,000
Lumens	14,534
Efficacy	146.7 LPW

Technical Specifications

Lightcloud

Lightcloud Controller Installed:

Fixture, Zone, and plug-load control from one powerful device. Capable of switching, 0-10V dimming, power monitoring. Can also be used to extend the range of the Lightcloud mesh network. Attach to fixture, junction box, or electrical panel. [Learn more about Lightcloud.](#)

Listings

UL Listed:

Suitable for wet locations

IESNA LM-79 & IESNA LM-80 Testing:

RAB LED luminaires and LED components have been tested by an independent laboratory in accordance with IESNA LM-79 and LM-80.

DLC Listed:

This product is listed by Design Lights Consortium (DLC) as an ultra-efficient premium product that qualifies for the highest tier of rebates from DLC Member Utilities. DLC Product Code: PGLN0AV6

LED Characteristics

Lifespan:

100,000-hour LED lifespan based on IES LM-80 results and TM-21 calculations

LEDs:

Multip-chip, high-output, long-life LEDs

Construction

Maximum Ambient Temperature:

40°C (104°F)

Housing:

Die-cast aluminum

Reflector:

Aluminum Alloy

Lens:

Glass

Gaskets:

High-temperature silicone gaskets

Mounting:

Surface mount

Finish:

Formulated for high durability and long-lasting color

Green Technology:

Mercury and UV free. RoHS-compliant components.

Electrical

Drivers:

Constant Current, 120-277V, 50/60 Hz, 120V: 0.83A, 208V: 0.49A, 240V: 0.42A, 277V: 0.36A

Dimming Driver:

Driver includes dimming control wiring for 0-10V dimming systems. Requires separate 0-10V DC dimming circuit. Dims as low as 10%.

THD:

4.9% at 120V, 9.2% at 277V

Power Factor:

99.8% at 120V, 97.3% at 277V

Cold Weather Starting:

The minimum starting temperature is -30°C (-22°F)

Technical Specifications (continued)

Electrical

Surge Protection:

4kV

Note:

All values are typical (tolerance +/- 10%)

Other

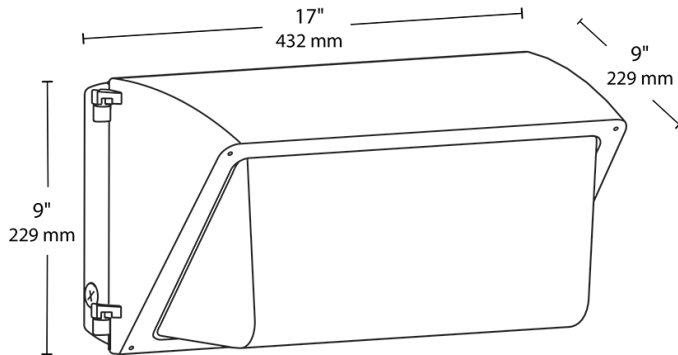
Warranty:

RAB warrants that our LED products will be free from defects in materials and workmanship for a period of ten (10) years from the date of delivery to the end user, including coverage of light output, color stability, driver performance and fixture finish. RAB's warranty is subject to all terms and conditions found at rablighting.com/warranty.

Buy American Act Compliance:

RAB values USA manufacturing! Upon request, RAB may be able to manufacture this product to be compliant with the Buy American Act (BAA). Please contact customer service to request a quote for the product to be made BAA compliant.

Dimensions



Features

- Affordable wall pack with traditional look
- Ultra-high efficacy
- Covers footprint of large HID wall packs
- 100,000-Hour LED lifespan

Ordering Matrix

Family	Lumen Pack Wattage	CRI/Color Temp	Finish	Voltage	Options
WP3LED	150L	-	730	U	/LC
	75L = 7500lumens, 51W 83L = 8300lumens, 55W 93L = 9300lumens, 65W 150L = 15,000lumens, 100W	750 = 70 CRI, 5000K 740 = 70 CRI, 4000K 730 = 70 CRI, 3000K	Blank = Bronze W = White	U = 120-277V, 0-10V Dimming H = 480V, 0-10V Dimming	Blank = No Options /PCU = 120-277V Button Photocell /PCS = 120V Swivel Photocell /PCS2 = 208V-277V Swivel Photocell /PCS4 = 480V Swivel Photocell /MVS = 120-277V Microwave Sensor /LC = Lightcloud® Controller /E2 = 120-277V Battery Backup