



82W, 65W and 55W LED wallpacks. Available with up to 9,000 lumens and 121 LPW. Up to 100,000 hour L70 lifespan. 5-Year Warranty.

Color: Bronze

Weight: 16.8 lbs

**Project:**

**Type:**

**Prepared By:**

**Date:**

### Driver Info

Type: Constant Current  
 120V: 0.46A  
 208V: N/A  
 240V: N/A  
 277V: N/A  
 Input Watts: 57W  
 Efficiency: 97%

### LED Info

Watts: 55W  
 Color Temp: 4000K  
 Color Accuracy: 83 CRI  
 L70 Lifespan: 100000  
 Lumens: 6,533  
 Efficacy: 115 LPW

## Technical Specifications

### Listings

#### UL Listing:

Suitable for wet locations. Wall mount only.

#### IESNA LM-79 & LM-80 Testing:

RAB LED luminaires have been tested by an independent laboratory in accordance with IESNA LM-79 and LM-80, and have received the Department of Energy "Lighting Facts" label.

#### DLC Listed:

This product is on the Design Lights Consortium (DLC) Qualified Products List and is eligible for rebates from DLC Member Utilities.

DLC Product Code: PT5NQ4SH

### Electrical

#### Driver:

Constant Current, Class 2, 1400mA, 50/60 Hz. 100 - 277V, 4kV surge protection

#### Power Factor:

99.2% at 120V

#### THD:

7.9% at 120V

#### Photocell:

120V Swivel Photocell Included. Photocell is only compatible with 120V.

### Optical

#### BUG Rating:

B1 U4 G4

### Construction

#### Thermal Management:

Superior thermal management with die-cast aluminum heatsink

#### Maximum Ambient Temperature:

Suitable for use in 40°C (104°F) ambient temperatures

#### Cold Weather Starting:

The minimum starting temperature is -40°C/-40°F

#### Housing:

Precision die-cast aluminum housing.

#### Mounting:

Die-cast backbox with four (4) conduit entry points and knockout pattern for junction box or direct wall mounting. Hinged door for easy re-assembly.

#### Lens:

Prismatic, heat-resistant borosilicate glass

#### Reflector:

High-gloss white aluminum

#### Gaskets:

High-temperature silicone gaskets.

#### Finish:

Our environmentally friendly polyester powder coatings are formulated for high-durability and long-lasting color, and contains no VOC or toxic heavy metals.

#### Green Technology:

Mercury and UV free. RoHS compliant components. Polyester powder coat finish formulated without the use of VOC or toxic heavy metals.

### LED Characteristics

#### Color Stability:

LED color temperature is warranted to shift no more than 200K in CCT over a 5 year period.

#### Color Uniformity:

RAB's range of CCT (Correlated Color Temperature) follows the guidelines of the American National Standard for Specifications for the Chromaticity of Solid State Lighting (SSL) Products, ANSI C78.377-2011.

### Other

#### Replaces:

WP3LED 55W replaces up to 400W MH.

#### Warranty:

RAB warrants that our LED products will be free from defects in materials and workmanship for a period of five (5) years from the date of delivery to the end user, including coverage of light output, color stability, driver performance and fixture finish. See our full warranty

#### Country of Origin:

Designed by RAB in New Jersey and assembled in the USA by RAB's IBEW Local 3 workers.

#### Buy American Act Compliant:

This product is a COTS item manufactured in the United States, and is compliant with the Buy American Act.

#### Recovery Act (ARRA) Compliant:

This product complies with the 52.225-21 "Required Use of American Iron, Steel, and Manufactured Goods-- Buy American Act-- Construction Materials (October 2010).

#### Trade Agreements Act Compliant:

This product is a COTS item manufactured in the United States, and is compliant with the Trade Agreements Act.

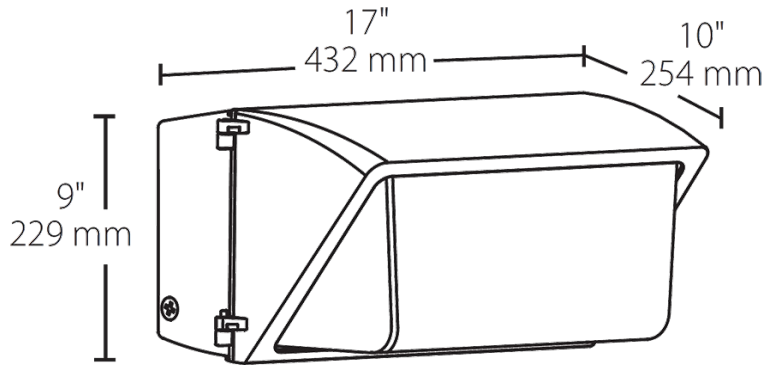
## Technical Specifications (continued)

### Other

#### GSA Schedule:

Suitable in accordance with FAR Subpart 25.4.

### Dimensions



### Features

- Affordable wallpack with traditional look
- Covers footprint of traditional HID wallpacks

### Ordering Matrix

Family	Watts	Color Temp	Finish	Voltage	Photocell
WP3LED	55	N			/PCS
	82 = 82W 65 = 65W 55 = 55W	Blank = 5000K (Cool) Y = 3000K (Warm) N = 4000K (Neutral)	Blank = Bronze W = White	Blank = 120-277V /480 = 480V (55W only)	/PC = 120V Button /PCS = 120V Swivel /PC2 = 277V Button /PCS2 = 277V Swivel /PCS4 = 480V Swivel (55W only)