



82W, 65W and 55W LED wallpacks. Available with up to 9,000 lumens and 121 LPW. Up to 100,000 hour L70 lifespan. 5-Year Warranty.

Color: White

Weight: 16.8 lbs

|                     |              |
|---------------------|--------------|
| <b>Project:</b>     | <b>Type:</b> |
| <b>Prepared By:</b> | <b>Date:</b> |

| Driver Info  |                  | LED Info        |         |
|--------------|------------------|-----------------|---------|
| Type:        | Constant Current | Watts:          | 82W     |
| 120V:        | N/A              | Color Temp:     | 4000K   |
| 208V:        | 0.34A            | Color Accuracy: | 83 CRI  |
| 240V:        | 0.32A            | L70 Lifespan:   | 60000   |
| 277V:        | 0.3A             | Lumens:         | 9,037   |
| Input Watts: | 84W              | Efficacy:       | 107 LPW |
| Efficiency:  | 97%              |                 |         |

## Technical Specifications

### Listings

#### UL Listing:

Suitable for wet locations. Wall mount only.

#### IESNA LM-79 & LM-80 Testing:

RAB LED luminaires have been tested by an independent laboratory in accordance with IESNA LM-79 and LM-80, and have received the Department of Energy "Lighting Facts" label.

### Electrical

#### Driver:

Constant Current, Class 2, 1400mA, 50/60 Hz. 100 - 277V, 4kV surge protection

#### THD:

5.6% at 277V

#### Power Factor:

95.9% at 277V

#### Photocell:

277V Button Photocell Included. Photocell is compatible with 208V-277V.

### Optical

#### BUG Rating:

B2 U4 G5

### Construction

#### Thermal Management:

Superior thermal management with die-cast aluminum heatsink

#### Maximum Ambient Temperature:

Suitable for use in 40°C (104°F) ambient temperatures

#### Cold Weather Starting:

The minimum starting temperature is -40°C/-40°F

#### Housing:

Precision die-cast aluminum housing.

#### Mounting:

Die-cast backbox with four (4) conduit entry points and knockout pattern for junction box or direct wall mounting. Hinged door for easy re-assembly.

#### Lens:

Prismatic, heat-resistant borosilicate glass

#### Reflector:

High-gloss white aluminum

#### Gaskets:

High-temperature silicone gaskets.

#### Finish:

Our environmentally friendly polyester powder coatings are formulated for high-durability and long-lasting color, and contains no VOC or toxic heavy metals.

#### Green Technology:

Mercury and UV free. RoHS compliant components. Polyester powder coat finish formulated without the use of VOC or toxic heavy metals.

### LED Characteristics

#### Lifespan:

60,000-hour LED lifespan based on IES LM-80 results and TM-21 calculations.

#### Color Stability:

LED color temperature is warranted to shift no more than 200K in CCT over a 5 year period.

#### Color Uniformity:

RAB's range of CCT (Correlated Color Temperature) follows the guidelines of the American National Standard for Specifications for the Chromaticity of Solid State Lighting (SSL) Products, ANSI C78.377-2011.

### Other

#### Equivalency:

WP3LED 82W equivalent to 400W MH.

#### Warranty:

RAB warrants that our LED products will be free from defects in materials and workmanship for a period of five (5) years from the date of delivery to the end user, including coverage of light output, color stability, driver performance and fixture finish. See our full warranty

#### Country of Origin:

Designed by RAB in New Jersey and assembled in the USA by RAB's IBEW Local 3 workers.

#### Buy American Act Compliant:

This product is a COTS item manufactured in the United States, and is compliant with the Buy American Act.

#### Recovery Act (ARRA) Compliant:

This product complies with the 52.225-21 "Required Use of American Iron, Steel, and Manufactured Goods-- Buy American Act-- Construction Materials (October 2010).

#### Trade Agreements Act Compliant:

This product is a COTS item manufactured in the United States, and is compliant with the Trade Agreements Act.

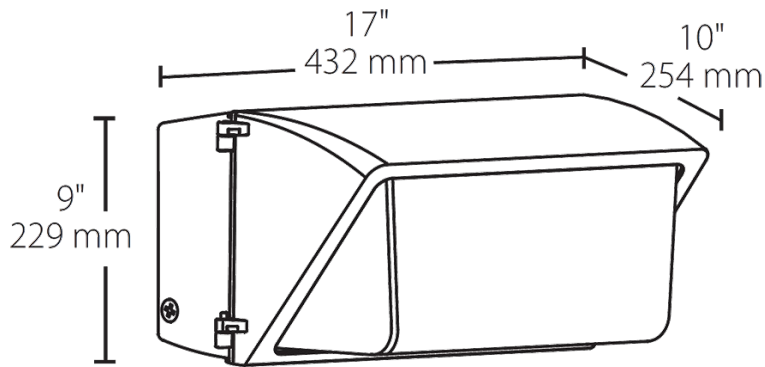
## Technical Specifications (continued)

### Other

#### GSA Schedule:

Suitable in accordance with FAR Subpart 25.4.

### Dimensions



### Features

- Affordable wallpack with traditional look
- Covers footprint of traditional HID wallpacks

### Ordering Matrix

| Family | Watts                            | Color Temp  | Finish                      | Voltage                                    | Photocell  |
|--------|----------------------------------|---|-----------------------------|--|--|
| WP3LED | 82                               | N   | W                           |  | /PC2   |
|        | 82 = 82W<br>65 = 65W<br>55 = 55W | Blank = 5000K (Cool)<br>Y = 3000K (Warm)<br>N = 4000K (Neutral) | Blank = Bronze<br>W = White | Blank = 120-277V<br>/480 = 480V (55W only) | /PC = 120V Button<br>/PCS = 120V Swivel<br>/PC2 = 277V Button<br>/PCS2 = 277V Swivel<br>/PCS4 = 480V Swivel (55W only) |