



Available in 55W, 65W, 82W, and 110W models with up to 15,531 lumens and 144 LPW. Covered by RAB's 5-year, no-compromise warranty.

Color: White

Weight: 23.4 lbs

**Project:**

**Type:**

**Prepared By:**

**Date:**

#### Driver Info

| Type        | Constant Current |
|-------------|------------------|
| 120V        | 0.7A             |
| 208V        | 0.34A            |
| 240V        | 0.32A            |
| 277V        | 0.3A             |
| Input Watts | 81.1W            |
| Efficiency  | N/A              |

#### LED Info

|                |              |
|----------------|--------------|
| Watts          | 82W          |
| Color Temp     | 5000K (Cool) |
| Color Accuracy | 82 CRI       |
| L70 Lifespan   | 100,000      |
| Lumens         | 9,280        |
| Efficacy       | 114.4 LPW    |

## Technical Specifications

### Lightcloud

#### Lightcloud Controller Installed:

Fixture, Zone, and plug-load control from one powerful device. Capable of switching, 0-10V dimming, power monitoring. Can also be used to extend the range of the Lightcloud mesh network. Attach to fixture, junction box, or electrical panel. [Learn more about Lightcloud.](#)

### Listings

#### UL Listing:

Suitable for Wet Locations. Wall Mount Only.

#### IESNA LM-79 & LM-80 Testing:

RAB LED luminaires and LED components have been tested by an independent laboratory in accordance with IESNA LM-79 and LM-80.

#### DLC Listed:

This product is on the Design Lights Consortium (DLC) Qualified Products List and is eligible for rebates from DLC Member Utilities. DLC Product Code: PHEX2A8F

### Electrical

#### Dimming Driver:

Driver includes dimming control wiring for 0-10V dimming systems. Requires separate 0-10V DC dimming circuit. Dims as low as 10%.

#### Driver:

Constant Current, Class 2, 1400mA, 50/60 Hz. 100 - 277V, 4kV surge protection

### Optical

#### BUG Rating:

B2 U5 G5

### Construction

#### Thermal Management:

Superior thermal management with die-cast aluminum heatsink

#### Maximum Ambient Temperature:

Suitable for use in 40°C (104°F)

#### Cold Weather Starting:

Minimum starting temperature is -40°C (-40°F)

#### Housing:

Precision die-cast aluminum housing

#### Mounting:

Die-cast backbox with four (4) conduit entry points and knockout pattern for junction box or direct wall mounting. Hinged door for easy re-assembly.

#### Lens:

Prismatic, heat-resistant borosilicate glass

#### Reflector:

High-gloss white aluminum

### Gaskets:

High-temperature silicone gaskets

### Finish:

Formulated for high durability and long-lasting color

### Green Technology:

Mercury and UV free. RoHS-compliant components.

### LED Characteristics

#### Lifespan:

60,000-hour LED lifespan based on IES LM-80 results and TM-21 calculations

#### Color Stability:

LED color temperature is warrantied to shift no more than 200K in CCT over a 5-year period

## Technical Specifications (continued)

### LED Characteristics

#### Color Uniformity:

RAB's range of CCT (Correlated Color Temperature) follows the guidelines of the American National Standard for Specifications for the Chromaticity of Solid State Lighting (SSL) Products, ANSI C78.377-2017.

### Other

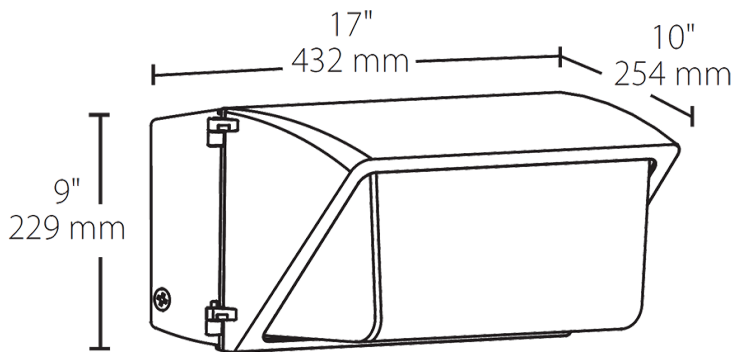
#### Warranty:

RAB warrants that our LED products will be free from defects in materials and workmanship for a period of five (5) years from the date of delivery to the end user, including coverage of light output, color stability, driver performance and fixture finish. RAB's warranty is subject to all terms and conditions found at [rablighting.com/warranty](http://rablighting.com/warranty).

### Buy American Act Compliance:

RAB values USA manufacturing! Upon request, RAB may be able to manufacture this product to be compliant with the Buy American Act (BAA). Please contact customer service to request a quote for the product to be made BAA compliant.

### Dimensions



### Features

- Affordable wall pack with traditional look
- Covers footprint of traditional HID wall packs
- Optional photocell (button or swivel) available
- 480V models available

### Ordering Matrix

| Family | Wattage  | Color Temp  | Finish                      | Driver Options  | Options  |
|--------|--|---|-----------------------------|---|--|
| WP3LED | 82   |   | W                           | /D10  | /LC  |
|        | 55 = 55W<br>65 = 65W<br>82 = 82W<br>110 = 110W | Blank = 5000K (Cool)<br>Y = 3000K (Warm)<br>N = 4000K (Neutral) | Blank = Bronze<br>W = White | Blank = 120-277V<br>/480 = 480V<br>/D10 = 0-10V Dimming<br>/480/D10 = 480V, 0-10V Dimming | Blank = No Option<br>/PC = 120V Button<br>/PCS = 120V Swivel<br>/PC2 = 277V Button<br>/PCS2 = 277V Swivel<br>/PCS4 = 480V Swivel<br>/PCT4 = 480V Twistlock<br>/LC = Lightcloud Control Installed |