



26 Watt LED wallpack with emergency backup battery that will last for 90 minutes during power interruption. Patent Pending thermal management system. 100,000 hour L70 lifespan. 5 Year Warranty.

Color: Bronze

Weight: 14.0 lbs

<b>Project:</b>	<b>Type:</b>
<b>Prepared By:</b>	<b>Date:</b>

Driver Info		LED Info	
Type:	Constant Current	Watts:	26W
120V:	0.26A	Color Temp:	3000K
208V:	0.16A	Color Accuracy:	83 CRI
240V:	0.14A	L70 Lifespan:	100000
277V:	0.12A	Lumens:	1,994
Input Watts:	29W	Efficacy:	69 LPW
Efficiency:	90%		

## Technical Specifications

### Other

#### WPLED26 with Battery Backup:

Minimum starting temperature is 0°C/32°F.

#### California Title 24:

See WPLED26/PC for a 2013 California Title 24 compliant model.

#### Equivalency:

The WPLED26 is Equivalent in delivered lumens to a 175W Metal Halide Wallpack.

#### Patents:

The WPLED design is protected by U.S. Patent D634878 and Patents pending in the U.S., Canada, China, Taiwan and Mexico.

#### Country of Origin:

Designed by RAB in New Jersey and assembled in the USA by RAB's IBEW Local 3 workers.

#### Buy American Act Compliant:

This product is a COTS item manufactured in the United States, and is compliant with the Buy American Act.

#### Recovery Act (ARRA) Compliant:

This product complies with the 52.225-21 "Required Use of American Iron, Steel, and Manufactured Goods-- Buy American Act-- Construction Materials (October 2010).

#### Trade Agreements Act Compliant:

This product is a COTS item manufactured in the United States, and is compliant with the Trade Agreements Act.

#### GSA Schedule:

Suitable in accordance with FAR Subpart 25.4.

### Listings

#### UL Listing:

Suitable for Wet Locations as downlight. Wall Mount Only. Battery Backup UL 924 Listed Emergency Lighting Power Supply.

#### LED Characteristics

#### Lifespan:

100,000-hour LED lifespan based on IES LM-80 results and TM-21 calculations.

#### LED:

Two (2) 13W high-output, long-life LEDs.

#### Color Consistency:

3-step MacAdam Ellipse binning to achieve consistent fixture-to-fixture color.

#### Color Stability:

LED color temperature is warranted to shift no more than 200K in CCT over a 5 year period.

#### Color Uniformity:

RAB's range of CCT (Correlated Color Temperature) follows the guidelines of the American National Standard for Specifications for the Chromaticity of Solid State Lighting (SSL) Products, ANSI C78.377-2011.

### Electrical

#### Battery Mode:

Light output use LLD of.76 to simulate light output during battery mode operation.

#### Driver:

Constant Current, Class 2, 50/60 Hz, 120 - 277VAC 0.4 Amps.

#### THD:

7.8% at 120V, 10.9% at 277V

#### THD:

12.9% at 120V

### Battery Backup

#### Backup Battery:

Two field-replaceable, high-temperature, maintenance-free, nickel-cadmium batteries.

### Construction

#### Ambient Temperature:

Suitable for use in 35°C (95°F) ambient temperatures.

#### Thermal Management:

Optimized using computational fluid dynamics software to ensure long LED and driver lifespan.

#### Gaskets:

High temperature silicone.

#### Housing:

Precision die-cast aluminum housing, lens frame and mounting arm.

#### Finish:

Our environmentally friendly polyester powder coatings are formulated for high-durability and long-lasting color, and contains no VOC or toxic heavy metals.

#### Thermal Management:

Cast aluminum Thermal Management system for optimal heat sinking. The LPACK is designed for cool operation, most efficient output and maximum LED life by minimizing LED junction temperature.

## Technical Specifications (continued)

### Construction

#### Green Technology:

Mercury and UV free. RoHS compliant components. Polyester powder coat finish formulated without the use of VOC or toxic heavy metals.

### Optical

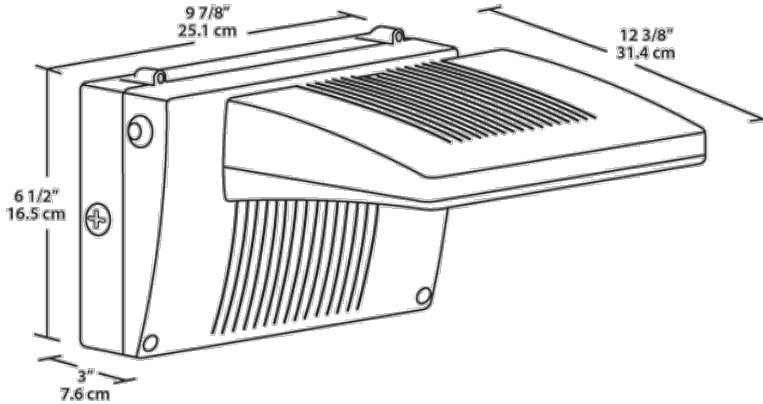
#### BUG Rating:

B1 U0 G0

### BUG Rating:

B1 U0 G0

### Dimensions



### Features

- Backup battery UL 924 listed
- UL listed for wet locations
- 90 minutes illumination time during power interruption
- Includes test switch and charge indicator light
- Universal input voltage
- 5-year warranty

### Ordering Matrix

Family	Watts	Color Temp	Finish	Battery Backup	Photocell
WPLED	26 = 26W	Blank = 5000K (Cool) Y = 3000K (Warm) N = 4000K (Neutral)	Blank = Bronze W = White	/E = Battery Backup /EC = Cold Start Battery Backup	Blank = No Photocell /PC = 120V Button /PCS = 120V Swivel /PC2 = 277V Swivel