



LED 80W Wallpacks. 3 cutoff options. Patent Pending thermal management system. 100,000 hour L70 lifespan. 5 Year Warranty.

Color: White

Weight: 17.6 lbs

**Project:**

**Type:**

**Prepared By:**

**Date:**

### Driver Info

Type: Constant Current  
 120V: N/A  
 208V: N/A  
 240V: N/A  
 277V: N/A  
 Input Watts: 82W  
 Efficiency: 98%

### LED Info

Watts: 80W  
 Color Temp: 4000K  
 Color Accuracy: 82 CRI  
 L70 Lifespan: 100000  
 Lumens: 6,723  
 Efficacy: 82 LPW

## Technical Specifications

### Listings

#### UL Listing:

Suitable for wet locations.

#### IESNA LM-79 & LM-80 Testing:

RAB LED Luminaires have been tested by an independent laboratory in accordance with IESNA LM-79 and LM-80, and have received the Department of Energy "Lighting Facts" label.

### LED Characteristics

#### LEDs:

Two (2) multi-chip, high-output, long-life LEDs.

#### Lifespan:

100,000-hour LED lifespan based on IES LM-80 results and TM-21 calculations.

#### Color Consistency:

3-step MacAdam Ellipse binning to achieve consistent fixture-to-fixture color.

#### Color Stability:

LED color temperature is warranted to shift no more than 200K in CCT over a 5 year period.

#### Color Uniformity:

RAB's range of CCT (Correlated Color Temperature) follows the guidelines of the American National Standard for Specifications for the Chromaticity of Solid State Lighting (SSL) Products, ANSI C78.377.2011.

### Electrical

#### Driver:

Constant current, Class 1, 347-480V, 50/60 Hz, 4kV Surge Protection, 700mA, 347-480V = 0.26A.

#### Starting/Operating Amps:

480V = 0.26A.

#### Surge Protection:

4kV

#### Ballast Volts:

480V.

### Construction

#### Cold Weather Starting:

Minimum starting temperature is -40°F / -40°C

#### Maximum Ambient Temperature:

Suitable for use in 40°C (104°F) ambient temperatures

#### Thermal Management:

Superior thermal management with external Air-Flow fins.

#### Housing:

Precision die cast aluminum housing, lens frame.

#### Mounting:

Die-cast aluminum wall bracket with (5) 1/2" conduit openings with plugs. Two-piece bracket with tether for ease of installation and wiring.

#### Arm:

Die-cast aluminum with wiring access plate.

#### Cutoff:

Cutoff (7.5°)

#### Lens:

Tempered glass.

#### Reflector:

Specular vacuum metallized polycarbonate.

#### Gaskets:

High-temperature silicone gaskets, including a wiring plug gasket, seal out moisture.

#### Finish:

Our environmentally friendly polyester powder coatings are formulated for high-durability and long-lasting color, and contains no VOC or toxic heavy metals.

#### Green Technology:

Mercury and UV free. RoHS compliant components. Polyester powder coat finish formulated without the use of VOC or toxic heavy metals.

#### IP Rating:

Ingress Protection rating of IP66 for dust and water.

### Optical

#### Replacement:

WPLED80 replaces up to 400W MH.

#### BUG Rating:

B1 U1 G1

## Technical Specifications (continued)

### Other

#### California Title 24:

See WPLEDC80/BL for a 2013 California Title 24 compliant product. Any additional component requirements will be listed in the Title 24 section under technical specifications on the product page.

#### Patents:

The WPLED design is protected by patents in the U.S. Pat D653,377, Canada Pat. 142252, China Pat. ZL2011130356930.8, and Mexico Pat. 36921 and pending patent in TW.

#### Country of Origin:

Designed by RAB in New Jersey and assembled in the USA by RAB's IBEW Local 3 workers.

#### Buy American Act Compliant:

This product is a COTS item manufactured in the United States, and is compliant with the Buy American Act.

#### Recovery Act (ARRA) Compliant:

This product complies with the 52.225-21 "Required Use of American Iron, Steel, and Manufactured Goods-- Buy American Act-- Construction Materials (October 2010).

#### Trade Agreements Act Compliant:

This product is a COTS item manufactured in the United States, and is compliant with the Trade Agreements Act.

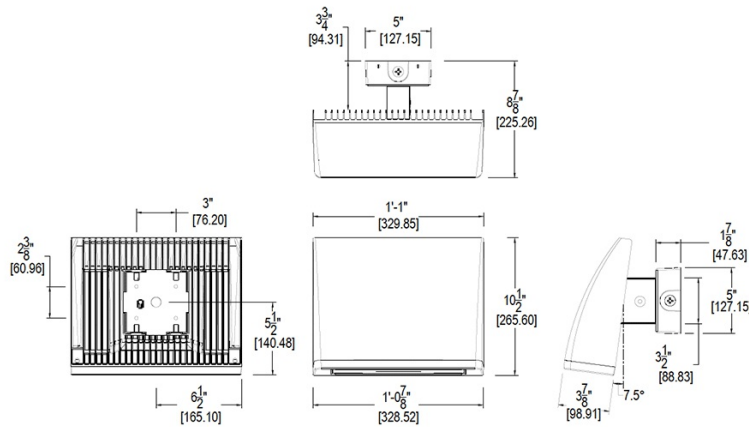
#### GSA Schedule:

Suitable in accordance with FAR Subpart 25.4.

#### Warranty:

RAB warrants that our LED products will be free from defects in materials and workmanship for a period of five (5) years from the date of delivery to the end user, including coverage of light output, color stability, driver performance and fixture finish.

## Dimensions



## Features

- High performance LED light engine
- Maintains 70% of initial lumens at 100,000 hours
- Weatherproof high temperature silicone gaskets
- Superior heat sinking with die cast aluminum housing and external fins
- Traditional wallpack look from the front
- 3 cutoff options
- 5-year warranty

## Ordering Matrix

Family	Cutoff	Watts	Color Temp	Finish	Voltage	Photocell	Dimming	Bi-Level
WPLED								
<b>Blank</b> = Standard		<b>80</b> = 80W	<b>Blank</b> = 5000K (Cool)	<b>Blank</b> = Bronze	<b>Blank</b> = 120-277V	<b>Blank</b> = No Photocell	<b>Blank</b> = No Dimming	<b>Blank</b> = No Bi-Level
<b>C</b> = Cutoff			<b>Y</b> = 3000K (Warm)	<b>W</b> = White	<b>/480</b> = 480V	<b>/PCS</b> = 120V Swivel	<b>/D10</b> = Dimmable	<b>/BL</b> = Bi-Level
<b>FC</b> = Full Cutoff			<b>N</b> = 4000K (Neutral)			<b>/PCS2</b> = 277V Swivel		
						<b>/PCS4</b> = 480V Swivel		