



Ultra-economy field adjustable X17 is available in three sizes and a total of 6 lumen packages, all with a wide 7H x 6V NEMA distribution that makes them the optimal floodlight for a large variety of general-purpose applications. 0-10V dimming is standard on all models.Ê

Color: Bronze

Weight: 9.8 lbs

Project:

Type:

Prepared By:

Date:

Driver Info

Type	Constant Current
120V	1.00A
208V	0.60A
240V	0.50A
277V	0.42A
Input Watts	103.8/100.2/104.1W

LED Info

Watts	105W
Color Temp	3000K/4000K/5000K
Color Accuracy	83/86/84 CRI
L70 Lifespan	100,000 Hours
Lumens	13243/14129/13616
Efficacy	127.5/140.9/130.8 lm/W

Technical Specifications

Field Adjustability

Field Adjustable:

Color temperature selectable by 3000K, 4000K and 5000K

Compliance

UL Listed:

Suitable for wet locations

IESNA LM-79 & LM-80 Testing:

RAB LED luminaires and LED components have been tested by an independent laboratory in accordance with IESNA LM-79 and LM-80.

DLC Listed:

This product is listed by Design Lights Consortium (DLC) as an ultra-efficient premium product that qualifies for the highest tier of rebates from DLC Member Utilities. Designed to meet DLC 5.1 requirements.
DLC Product Code: PLDMJD8VQ91V

Electrical

Driver:

Constant Current, Class 2, 120-277V, 50/60Hz, 120V: 1.00A, 208V: 0.60A, 240V: 0.50A, 277V: 0.42A

Dimming Driver:

Driver includes wiring for 0-10V dimming systems. Dim as low as 10%.

THD:

2.66% at 120V, 7.17% at 277V

Power Factor:

99.7% at 120V, 95% at 277V

Photocell:

120-277V Integrated button selectable photocell included that can be turned on and off. Photocell is compatible with 120V-277V.

Note:

All values are typical (tolerance +/- 10%)

LED Characteristics

LEDs:

Long-life, high-efficiency, surface-mount LEDs

Color Uniformity:

RAB's range of Correlated Color Temperature follows the guidelines of the American National Standard for Specifications for the Chromaticity of Solid State Lighting (SSL) Products, ANSI C78.377-2017.

Construction

IP Rating:

Ingress protection rating of IP65 for dust and water

Cold Weather Starting:

Minimum starting temperature is -40°C (-40°F)

Technical Specifications (continued)

Construction

Maximum Ambient Temperature:

Suitable for use in up to 40°C (104°F)

Housing:

Precision die-cast aluminum

Mounting:

Slipfitter with 180° pivot available for mounting on 2 3/8" tenon

Effective Projected Area:

EPA = 1.05

Lens:

Tempered glass

Reflector:

Polycarbonate

Finish:

Formulated for high durability and long-lasting color

Green Technology:

Mercury and UV free. RoHS-compliant components.

Optical

NEMA Type:

NEMA Beam Spread of 7H x 7V

Other

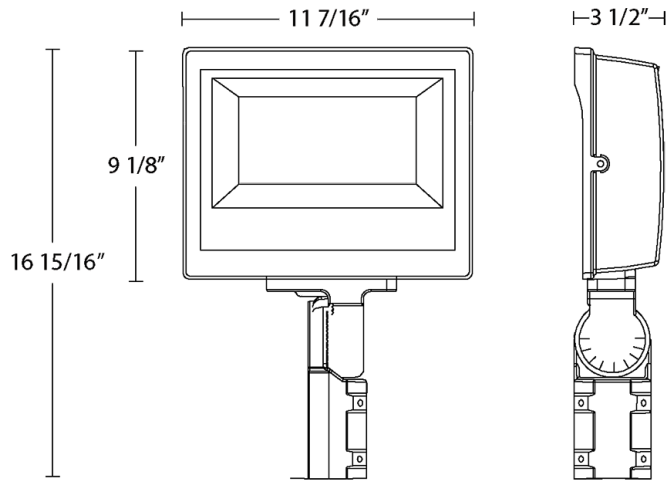
5 Yr Limited Warranty:

The RAB 5-year, limited warranty covers light output, driver performance and paint finish. RAB's warranty is subject to all terms and conditions found at rablighting.com/warranty.

Buy American Act Compliance:

RAB values USA manufacturing! Upon request, RAB may be able to manufacture this product to be compliant with the Buy American Act (BAA). Please contact customer service to request a quote for the product to be made BAA compliant.

Dimensions



Features

- DLC Premium listed
- IP65 Rated
- 100,000-Hour LED lifespan
- 5-Year, Limited Warranty

Ordering Matrix

Family	Wattage	Mounting	Finish	Voltage
X17FA	105	SF		
	15 = 15W 35 = 35W 60 = 60W 80 = 80W 105 = 105W 140 = 140W	Blank = Knuckle * SF = Slipfitter ** T = Trunnion **	Blank = Bronze W = White	Blank = 120-277V /480 = 480V ***

** Slipfitter and trunnion mounts available for 60-140W only

** 60-80W fixtures with slipfitter or trunnion option will come with a factory-installed knuckle mount and a separate slipfitter or trunnion accessory

*** 480V available only in 140W models

All values are nominal with +/- 10% tolerance. See spec sheet for more details.