



Ultra-economy field adjustable X17 is available in three sizes and a total of 6 lumen packages, all with a wide 7H x 6V NEMA distribution that makes them the optimal floodlight for a large variety of general-purpose applications. 0-10V dimming is standard on all models.Ē

Color: Bronze

Weight: 10.0 lbs

<b>Project:</b>	<b>Type:</b>
<b>Prepared By:</b>	<b>Date:</b>

Driver Info		LED Info	
Type	Constant Current	Watts	140W
120V	N/A	Color Temp	3000K/4000K/5000K
208V	N/A	Color Accuracy	83/85/84 CRI
240V	N/A	L70 Lifespan	100,000 Hours
277V	N/A	Lumens	18292/19532/18898
Input Watts	142.6/136.93142.6W	Efficacy	128.3/142.6/132.5 lm/W

## Technical Specifications

### Field Adjustability

#### Field Adjustable:

Color temperature selectable by 3000K, 4000K and 5000K

### Compliance

#### UL Listed:

Suitable for wet locations

#### IESNA LM-79 & LM-80 Testing:

RAB LED luminaires and LED components have been tested by an independent laboratory in accordance with IESNA LM-79 and LM-80.

#### DLC Listed:

This product is listed by Design Lights Consortium (DLC) as an ultra-efficient premium product that qualifies for the highest tier of rebates from DLC Member Utilities. Designed to meet DLC 5.1 requirements.  
DLC Product Code: PLRBO4LJA1S

### Electrical

#### Driver:

Constant Current, Class 2, 480V, 50/60Hz, 480V: 0.40A

#### Dimming Driver:

Driver includes wiring for 0-10V dimming systems. Dim as low as 10%.

#### THD:

9.38% at 480V

#### Power Factor:

93.7% at 480V

#### Photocell:

120-277V Integrated button selectable photocell included that can be turned on and off. Photocell is compatible with 120V-277V.

#### Note:

All values are typical (tolerance +/- 10%)

### LED Characteristics

#### LEDs:

Long-life, high-efficiency, surface-mount LEDs

#### Color Uniformity:

RAB's range of Correlated Color Temperature follows the guidelines of the American National Standard for Specifications for the Chromaticity of Solid State Lighting (SSL) Products, ANSI C78.377-2017.

### Construction

#### IP Rating:

Ingress protection rating of IP65 for dust and water

#### Cold Weather Starting:

Minimum starting temperature is -40°C (-40°F)

## Technical Specifications (continued)

### Construction

**Maximum Ambient Temperature:**

Suitable for use in up to 40°C (104°F)

**Housing:**

Precision die-cast aluminum

**Mounting:**

Heavy-duty Trunnion mount with stainless steel hardware

**Effective Projected Area:**

EPA = 1.05

**Lens:**

Tempered glass

**Reflector:**

Polycarbonate

**Finish:**

Formulated for high durability and long-lasting color

**Green Technology:**

Mercury and UV free. RoHS-compliant components.

### Optical

**NEMA Type:**

NEMA Beam Spread of 7H x 7V

### Other

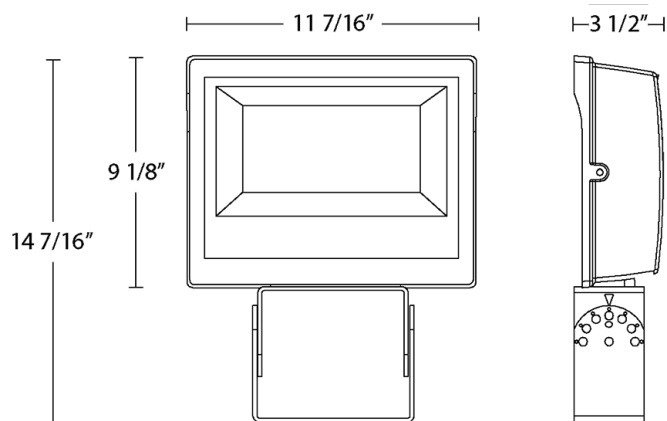
**5 Yr Limited Warranty:**

The RAB 5-year, limited warranty covers light output, driver performance and paint finish. RAB's warranty is subject to all terms and conditions found at [rablighting.com/warranty](http://rablighting.com/warranty).

**Buy American Act Compliance:**

RAB values USA manufacturing! Upon request, RAB may be able to manufacture this product to be compliant with the Buy American Act (BAA). Please contact customer service to request a quote for the product to be made BAA compliant.

## Dimensions



## Features

- DLC Premium listed
- IP65 Rated
- 100,000-Hour LED lifespan
- 5-Year, Limited Warranty

## Ordering Matrix

Family	Wattage	Mounting	Finish	Voltage
X17FA	140	T		/480

**15** = 15W  
**35** = 35W  
**60** = 60W  
**80** = 80W  
**105** = 105W  
**140** = 140W

**Blank** = Knuckle \*  
**SF** = Slipfitter \*\*  
**T** = Trunnion \*\*

**Blank** = Bronze  
**W** = White

**Blank** = 120-277V  
**/480** = 480V \*\*\*

\*\* Slipfitter and trunnion mounts available for 60-140W only

\*\* 60-80W fixtures with slipfitter or trunnion option will come with a factory-installed knuckle mount and a separate slipfitter or trunnion accessory

\*\*\* 480V available only in 140W models

All values are nominal with +/- 10% tolerance. See spec sheet for more details.