



Ultra-economy field adjustable X17 is available in three sizes and a total of 6 lumen packages, all with a wide 7H x 6V NEMA distribution that makes them the optimal floodlight for a large variety of general-purpose applications. 0-10V dimming is standard on all models.Ê

Color: White

Weight: 2.7 lbs

Project:	Type:
Prepared By:	Date:

Driver Info		LED Info	
Type	Constant Current	Watts	35W
120V	0.35A	Color Temp	3000K/4000K/5000K
208V	0.20A	Color Accuracy	83/85/83 CRI
240V	0.16A	L70 Lifespan	100,000 Hours
277V	0.14A	Lumens	4642/5034/4864
Input Watts	35.9/34.6/35.9W	Efficacy	129.3/145.5/135.4 lm/W

Technical Specifications

Field Adjustability

Field Adjustable:

Color temperature selectable by 3000K, 4000K and 5000K

Compliance

UL Listed:

Suitable for wet locations

IESNA LM-79 & LM-80 Testing:

RAB LED luminaires and LED components have been tested by an independent laboratory in accordance with IESNA LM-79 and LM-80.

DLC Listed:

This product is listed by Design Lights Consortium (DLC) as an ultra-efficient premium product that qualifies for the highest tier of rebates from DLC Member Utilities. Designed to meet DLC 5.1 requirements.
DLC Product Code: PL2BE3TBJVAP

Electrical

Driver:

Constant Current, Class 2, 120-277V, 50/60Hz, 120V: 0.35A, 208V: 0.20A, 240V: 0.16A, 277V: 0.14A

Dimming Driver:

Driver includes wiring for 0-10V dimming systems. Dim as low as 10%.

THD:

10.97% at 120V, 10.75% at 277V

Power Factor:

99.3% at 120V, 94.8% at 277V

Photocell:

120-277V Integrated button selectable photocell included that can be turned on and off. Photocell is compatible with 120V-277V.

Note:

All values are typical (tolerance +/- 10%)

LED Characteristics

LEDs:

Long-life, high-efficiency, surface-mount LEDs

Color Uniformity:

RAB's range of Correlated Color Temperature follows the guidelines of the American National Standard for Specifications for the Chromaticity of Solid State Lighting (SSL) Products, ANSI C78.377-2017.

Construction

IP Rating:

Ingress protection rating of IP65 for dust and water

Cold Weather Starting:

Minimum starting temperature is -40°C (-40°F)

Technical Specifications (continued)

Construction

Maximum Ambient Temperature:

Suitable for use in up to 40°C (104°F)

Housing:

Precision die-cast aluminum

Mounting:

Robust knuckle mount with 180° adjustable swivel arm. Tilt angle in 10° increments.

Lens:

Tempered glass

Reflector:

Polycarbonate

Finish:

Formulated for high durability and long-lasting color

Green Technology:

Mercury and UV free. RoHS-compliant components.

Optical

NEMA Type:

NEMA Beam Spread of 7H x 7V

Other

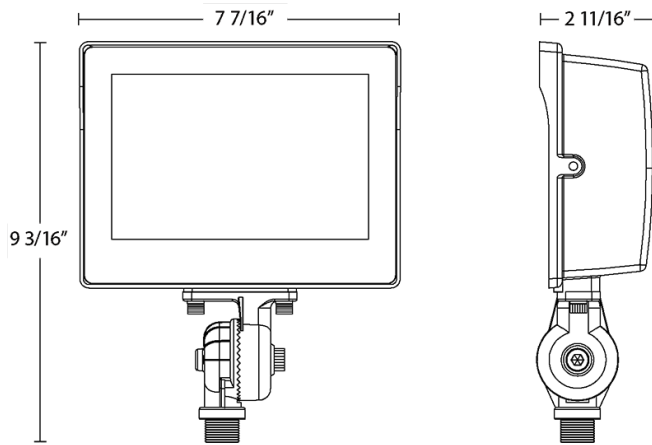
5 Yr Limited Warranty:

The RAB 5-year, limited warranty covers light output, driver performance and paint finish. RAB's warranty is subject to all terms and conditions found at rablighting.com/warranty.

Buy American Act Compliance:

RAB values USA manufacturing! Upon request, RAB may be able to manufacture this product to be compliant with the Buy American Act (BAA). Please contact customer service to request a quote for the product to be made BAA compliant.

Dimensions



Features

DLC Premium listed

IP65 Rated

100,000-Hour LED lifespan

5-Year, Limited Warranty

Ordering Matrix

Family	Wattage	Mounting	Finish	Voltage
X17FA	35		W	
	15 = 15W 35 = 35W 60 = 60W 80 = 80W 105 = 105W 140 = 140W	Blank = Knuckle * SF = Slipfitter ** T = Trunnion **	Blank = Bronze W = White	Blank = 120-277V /480 = 480V ***

** Slipfitter and trunnion mounts available for 60-140W only

*** 60-80W fixtures with slipfitter or trunnion option will come with a factory-installed knuckle mount and a separate slipfitter or trunnion accessory

*** 480V available only in 140W models

All values are nominal with +/- 10% tolerance. See spec sheet for more details.