



Color: Bronze

Weight: 28.1 lbs

Project:

Type:

Prepared By:

Date:

### Driver Info

Type	Constant Current
120V	3.67A
208V	2.40A
240V	2.10A
277V	1.64A
Input Watts	250/350/439W

### LED Info

Watts	450W
Color Temp	4000K (Neutral)
Color Accuracy	72 CRI
L70 Lifespan	100,000 Hours
Lumens	36975/51765/64951
Efficacy	147.9

## Technical Specifications

### Field Adjustability

#### Power Adjustable:

Field adjustable light output in 3 discrete steps: 250W/350W/450W (factory default 450W)

### Compliance

#### UL Listed:

Suitable for wet locations

#### IESNA LM-79 & LM-80 Testing:

RAB LED luminaires and LED components have been tested by an independent laboratory in accordance with IESNA LM-79 and LM-80.

#### DLC Listed:

This product is listed by Design Lights Consortium (DLC) as an ultra-efficient premium product that qualifies for the highest tier of rebates from DLC Member Utilities. Designed to meet DLC 5.1 requirements.

DLC Product Code: PZLC50M8

### Electrical

#### Driver:

Constant Current, Class 2, 120-277V, 50/60Hz, 120V: 3.67A, 208V: 2.40A, 240V: 2.10A, 277V: 1.64A

### Dimming Driver:

Driver includes wiring for 0-10V dimming systems. Dim as low as 10%.

#### THD:

6.51% at 120V, 9.43% at 277V

#### Power Factor:

99.6% at 120V, 92.8% at 277V

#### Photocell:

120-277V Twistlock photocell included. Photocell is compatible with 120-277V.

#### Note:

All values are typical (tolerance +/- 10%)

### LED Characteristics

#### LEDs:

Long-life, high-efficacy, surface-mount LEDs

#### Color Uniformity:

RAB's range of Correlated Color Temperature follows the guidelines of the American National Standard for Specifications for the Chromaticity of Solid State Lighting (SSL) Products, ANSI C78.377-2017.

### Construction

#### IP Rating:

Ingress protection rating of IP65 for dust and water

#### Cold Weather Starting:

Minimum starting temperature is -40°C (-40°F)

## Technical Specifications (continued)

### Construction

#### Maximum Ambient Temperature:

Suitable for use in up to 40°C (104°F)

#### Housing:

Precision die-cast aluminum

#### Mounting:

Slipfitter with 180° pivot available for mounting on 2 3/8" tenon

#### Lens:

Tempered glass

#### Reflector:

Polycarbonate

#### Effective Projected Area:

EPA = 2.4

#### Finish:

Formulated for high durability and long-lasting color

#### Green Technology:

Mercury and UV free. RoHS-compliant components.

### Optical

#### NEMA Type:

NEMA Beam Spread 7H x 6V

### Other

#### Shorting Cap:

Shorting Cap for Twistlock Receptacle

#### 5 Yr Limited Warranty:

The RAB 5-year, limited warranty covers light output, driver performance and paint finish. RAB's warranty is subject to all terms and conditions found at [rablighting.com/warranty](http://rablighting.com/warranty).

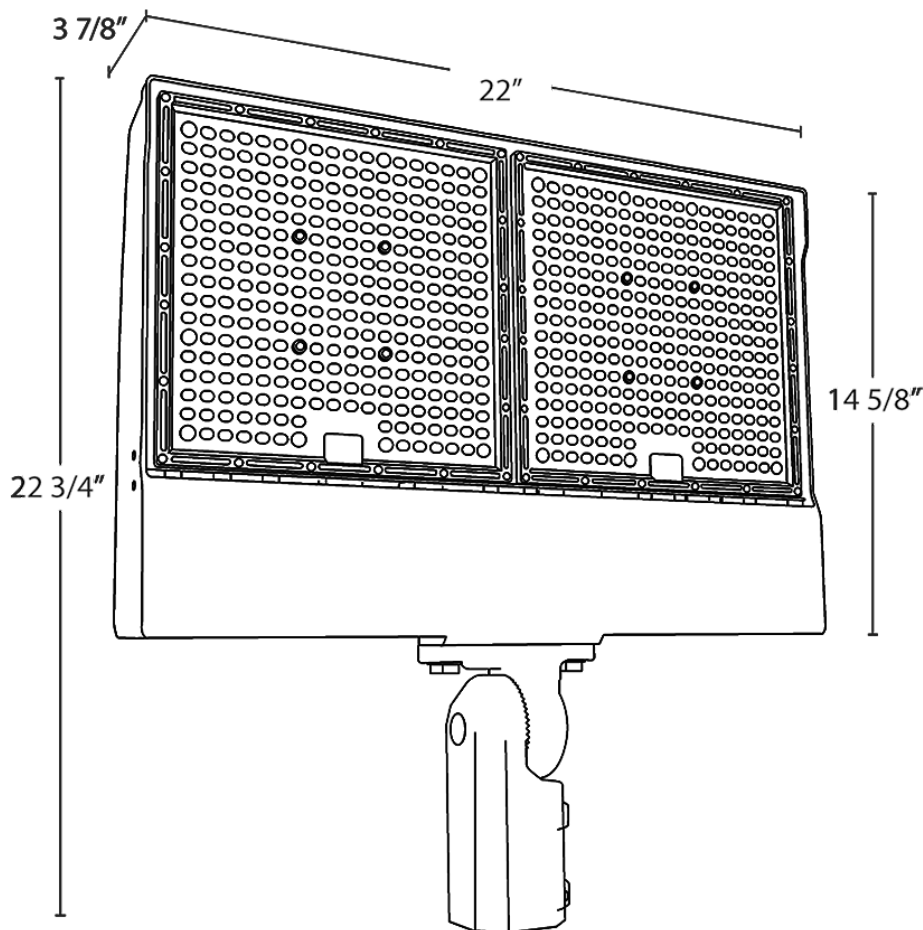
#### Buy American Act Compliance:

RAB values USA manufacturing! Upon request, RAB may be able to manufacture this product to be compliant with the Buy American Act (BAA). Please contact customer service to request a quote for the product to be made BAA compliant.

#### Equivalency:

Equivalent to 1500W Metal Halide

## Dimensions



## Ordering Matrix

Family	Field Adjustability	Wattage	Color Temp	Mounting	Finish	Voltage	Options
X17	PA	450	N	SF			/PCT
<p><b>PA</b> = Power Field Adjustable, High Output <b>450</b> = 450/350/250W <b>N</b> = 4000K Neutral <b>SF</b> = Slipfitter <b>T</b> = Trunnion <b>Blank</b> = Bronze <b>Blank</b> = 120-277V <b>/480</b> = 480V <b>/PCT</b> = Twistlock photocell</p>							