



General purpose lighting that's pocket friendly.

Color: Bronze

Weight: 10.4 lbs

Project:

Type:

Prepared By:

Date:

Driver Info

Type	Constant Current
120V	1.3A
208V	0.8A
240V	0.7A
277V	0.6A
Input Watts	160.50W
Efficiency	N/A

LED Info

Watts	160.00W
Color Temp	5000K (Cool)
Color Accuracy	83 CRI
L70 Lifespan	50,000
Lumens	20,381
Efficacy	127 LPW

Technical Specifications

Listings

UL Listed:

Suitable for wet locations. Suitable for ground mounting.

IESNA LM-79 & LM-80 Testing:

RAB LED luminaires and LED components have been tested by an independent laboratory in accordance with IESNA LM-79 and LM-80.

DLC Listed:

This product is on the Design Lights Consortium (DLC) Qualified Products List and is eligible for rebates from DLC Member Utilities. DLC Product Code: PWDK3YFS

Electrical

Driver:

Constant Current, 120-277V, 50/60 Hz, 120V: 1.3A, 208V: 0.8A, 240V: 0.7A, 277V: 0.6A

Dimming Driver:

Driver includes wiring for 0-10V dimming systems. Dim as low as 10%.

THD:

6.3% at 120V, 9.5% at 277V

Power Factor:

99.7% at 120V, 98.8% at 277V

Note:

All values are typical (tolerance +/- 10%)

Optical

NEMA Type:

NEMA Beam Spread of 7H x 7V

LED Characteristics

LEDs:

Long-life, high-efficacy surface-mount LEDs

Lifespan:

50,000-hour LED lifespan based on IES LM-80 results and TM-21 calculations

Color Uniformity:

RAB's range of CCT (Correlated Color Temperature) follows the guidelines of the American National Standard for Specifications for the Chromaticity of Solid State Lighting (SSL) Products, ANSI C78.377-2017.

Construction

IP Rating:

Ingress Protection rating of IP65 for dust and water

Cold Weather Starting:

Minimum starting temperature is -40°C (-40°F)

Maximum Ambient Temperature:

Suitable for use in 40°C (104°F)

Housing:

Precision die-cast aluminum

Mounting:

Trunnion with tilt angle in 30° increments

Lens:

Tempered glass

Finish:

Formulated for high durability and long-lasting color

Technical Specifications (continued)

Construction

Green Technology:

Mercury and UV free. RoHS-compliant components.

Other

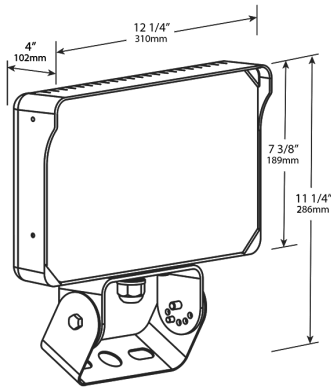
5 Yr Limited Warranty:

The RAB 5-year, limited warranty covers light output, driver performance and paint finish. RAB's warranty is subject to all terms and conditions found at rablighting.com/warranty.

Buy American Act Compliance:

RAB values USA manufacturing! Upon request, RAB may be able to manufacture this product to be compliant with the Buy American Act (BAA). Please contact customer service to request a quote for the product to be made BAA compliant.

Dimensions



Features

- Versatile, general-purpose floodlight
- 7H x 7V NEMA distribution
- 0-10V dimming
- IP65 rating protects against dust and water
- 50,000-Hour LED lifespan

Ordering Matrix

Family	Lumen Packages (values are nominal)	Mounting	CRI/Color Temp	Driver/Voltage
X34	195L	T		/U
	100L = 10,000 Lumens, 87W 150L = 15,000 Lumens, 130W 195L = 19,500 Lumens, 160W	SF = Slipfitter T = Trunnion	Blank = 80 CRI, 5000K -830 = 80 CRI, 3000K	/U = 120-277V, 0-10V Dimming