



Color: Bronze

Weight: 14.0 lbs

Project:

Type:

Prepared By:

Date:

### Driver Info

Type	Constant Current
120V	N/A
208V	N/A
240V	N/A
277V	N/A
Input Watts	116.8-242.4W

### LED Info

Watts	250W
Color	Field Adjustable
Temp	5000K/4000K/3000K
Color Accuracy	82-85 CRI
L70 Lifespan	50,000 Hours
Lumens	19,336-39,653 lm
Efficacy	149.7-175.2 lm/W

## Technical Specifications

### Field Adjustability

#### Field Adjustable:

Field Adjustable Light Output:  
250W at 50%/75%/100% Power Selectable (factory default 250W at 100%)  
Color temperature (selectable by 3000K, 4000K and 5000K)

### Compliance

#### UL Listed:

Suitable for wet locations

#### IESNA LM-79 & LM-80 Testing:

RAB LED luminaires and LED components have been tested by an independent laboratory in accordance with IESNA LM-79 and LM-80.

#### IP Rating:

Ingress protection rating of IP66 for dust and water

#### DLC Listed:

This product is listed by Design Lights Consortium (DLC) as an ultra-efficient premium product that qualifies for the highest tier of rebates from DLC Member Utilities. Designed to meet DLC 5.1 requirements.

DLC Product Code: S-K0IF53

### Electrical

#### Driver:

Constant Current, Class 2, 120-277V, 50/60Hz, 120V: 0.46A, 208V: 0.26A, 240V: 0.23A, 277V 0.20A

#### Dimming Driver:

Driver includes dimming control wiring for 0-10V dimming systems. Requires separate 0-10V DC dimming circuit. Dims down to 10%.

#### THD:

6.57% at 480V

#### Power Factor:

95.7% at 480V

#### Surge Protection:

4kV

### Photocell:

Integrated photocell included with a switch to enable/disable the photocell.

### Optical

#### NEMA Type:

NEMA Beam Spread of 7H x 7V

### LED Characteristics

#### LEDs:

Long-life, high-efficacy, surface-mount LEDs

#### Color Consistency:

7-step MacAdam Ellipse binning to achieve consistent fixture-to-fixture color

## Technical Specifications (continued)

### LED Characteristics

#### Color Uniformity:

RAB's range of Correlated Color Temperature follows the guidelines of the American National Standard for Specifications for the Chromaticity of Solid State Lighting (SSL) Products, ANSI C78.377-2017.

### Performance

#### Lifespan:

50,000-Hour LED lifespan based on IES LM-80 results and TM-21 calculations

#### Wattage Equivalency:

Equivalent to 1,000W Metal Halide

### Other

#### Note:

All values are typical (tolerance +/- 10%)

#### 5 Yr Limited Warranty:

The RAB 5-year, limited warranty covers light output, driver performance and paint finish. RAB's warranty is subject to all terms and conditions found at [rablighting.com/warranty](http://rablighting.com/warranty).

#### Buy American Act Compliance:

RAB values USA manufacturing! Upon request, RAB may be able to manufacture this product to be compliant with the Buy American Act (BAA). Please contact customer service to request a quote for the product to be made BAA compliant.

### Construction

#### Cold Weather Starting:

The minimum starting temperature is -40°C (-40°F)

#### Maximum Ambient Temperature:

Suitable for use in up to 50°C (122°F)

#### Housing:

Die-cast aluminum

#### Mounting:

Slipfitter with tilt angle in 10° increments

#### Tilt Increment:

-90° to +90°

#### Lens:

Tempered glass

#### Reflector:

Polyethylene Terephthalate (PET)

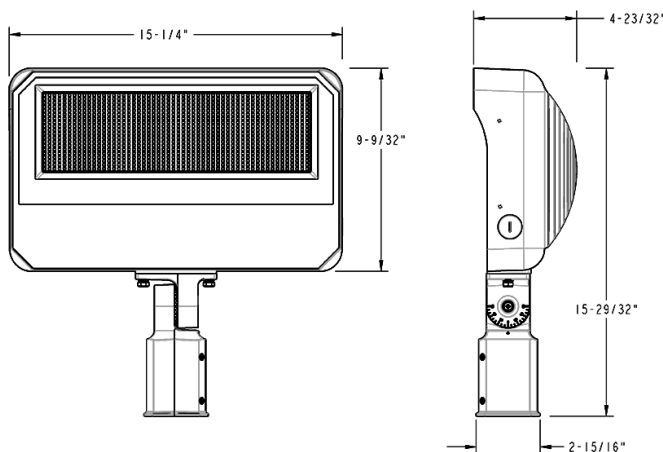
#### Finish:

Formulated for high durability and long-lasting color

#### Green Technology:

Mercury and UV free. RoHS-compliant components.

## Dimensions



## Features

- 50,000-Hour LED lifespan
- DLC Premium Listed
- 0-10V dimming standard
- 5-Year, limited warranty